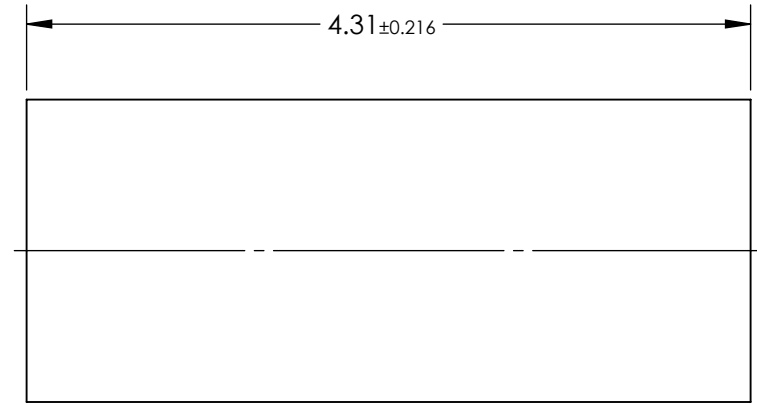
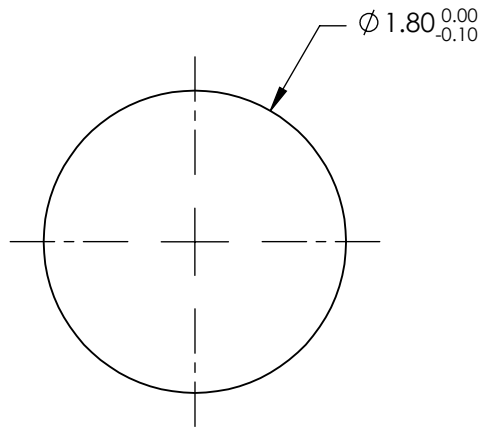


NOTES:

1. SUBSTRATE:
Alumoscilate Glass Embedded with Silver Ions
2. COATING (APPLY ACROSS COATING APERTURE)
S1 & S2: BBAR (640-700nm)
R(AVG) < 0.5% @ 670nm ±30nm
3. EFL: 1.69
4. f/# : 0.94
5. NUMERICAL APERTURE: 0.55
6. DESIGN WAVELENGTH: 670nm
7. WORKING DISTANCE:0mm
8. ROHS: COMPLIANT



**FOR INFORMATION ONLY:
DO NOT MANUFACTURE
PARTS TO THIS DRAWING**

SPECIFICATIONS SUBJECT TO CHANGE WITHOUT NOTICE
DIMENSIONS ARE FOR REFERENCE ONLY

EO® Edmund Optics®

	S1	S2	THIRD ANGLE PROJECTION		TITLE	1.8mm Dia, 670nm DWL, 0.0mm WD, VIS Coated, GRIN Lens	
SHAPE	PLANO	PLANO	ALL DIMS IN	mm	DWG NO	64537	SHEET 1 OF 1
SURFACE QUALITY	40-20	40-20					
CLEAR APERTURE	Ø1.62	Ø1.62					