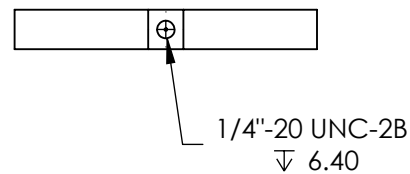
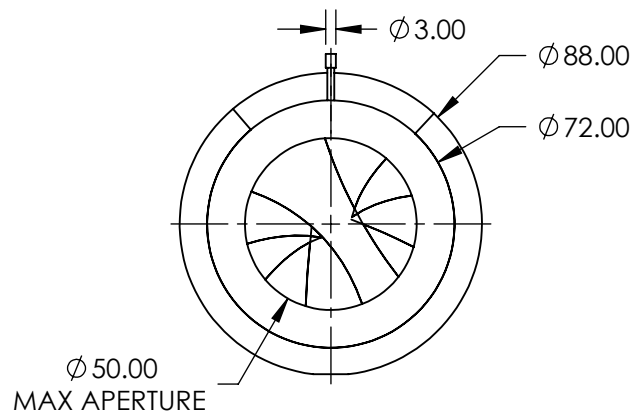
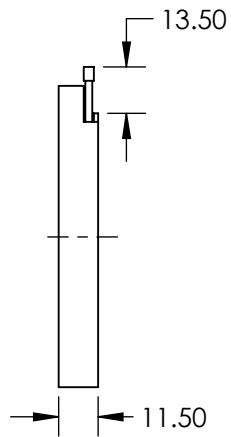


NOTES:

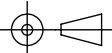
1. CONSTRUCTION:  
Blackened Brass Housing, Black Spring Steel Leaves, Stainless Steel Pins
2. NUMBER OF LEAVES: Two Sets of 8
3. ROHS: NOT COMPLIANT



SPECIFICATIONS SUBJECT TO CHANGE WITHOUT NOTICE  
DIMENSIONS ARE FOR REFERENCE ONLY

**FOR INFORMATION ONLY:  
DO NOT MANUFACTURE  
PARTS TO THIS DRAWING**

**EO**® Edmund Optics®

THIRD ANGLE PROJECTION 		TITLE	Zero Aperture, 88mm Outer Diameter, Mounted Iris Diaphragm	
ALL DIMS IN	mm	DWG NO	62656	SHEET 1 OF 1