

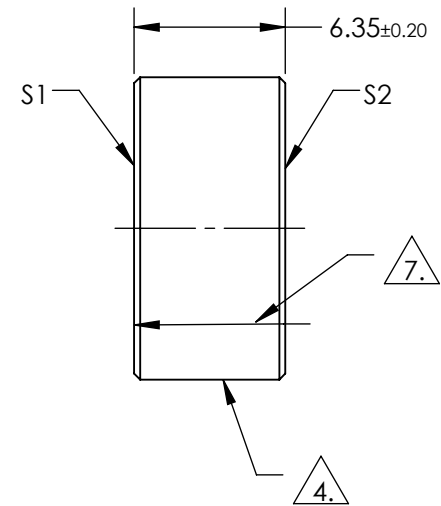
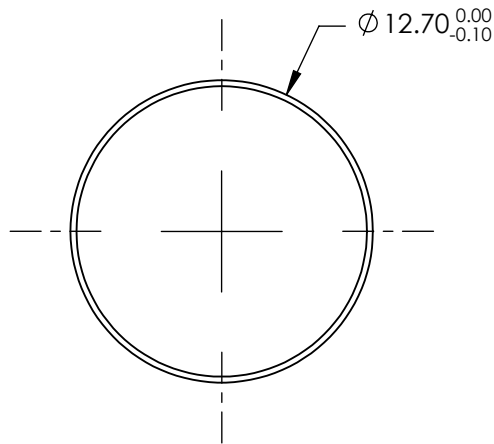
NOTES:

1. SUBSTRATE:
N-BK7
2. SURFACE S1 TO BE PARALLEL TO SURFACE S2 TO WITHIN <3 ARCMINS
3. COATING (APPLY ACROSS COATING APERTURE)

S1: R(ABS) ≥ 99% @ 532nm
DAMAGE THRESHOLD,
PULSED: 3 J/cm², 20ns, 20 Hz @ 532nm

S2: NONE

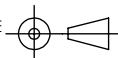
4. FINE GROUND SURFACE
5. CLEAR APERTURE AND COATING APERTURE ARE CENTERED ON SURFACE
6. POWER, IRREGULARITY, AND SURFACE QUALITY SPECIFICATIONS APPLY ACROSS CLEAR APERTURE
7. APPLY ARROW ON EDGE WITH LASER ETCH, PENCIL, OR PERMANENT INK POINTING TOWARDS SURFACE S1




**FOR INFORMATION ONLY:
DO NOT MANUFACTURE
PARTS TO THIS DRAWING**

SPECIFICATIONS SUBJECT TO CHANGE WITHOUT NOTICE
DIMENSIONS ARE FOR REFERENCE ONLY

	S1	S2
SHAPE	PLANO	PLANO
SURFACE QUALITY	20-10	COMMERCIAL POLISH
SURFACE FLATNESS	0.10 WAVE	N/A
MIN CLEAR APERTURE	Ø11.43	N/A
MIN COATING APERTURE	Ø11.43	N/A
BEVEL	PROTECTIVE AS NEEDED	PROTECTIVE AS NEEDED

THIRD ANGLE PROJECTION 

ALL DIMS IN mm

 **Edmund Optics®**

TITLE: Ø12.7mm, 532nm N-BK7 LASER LINE MIRROR

DWG NO: 38618

SHEET 1 OF 1