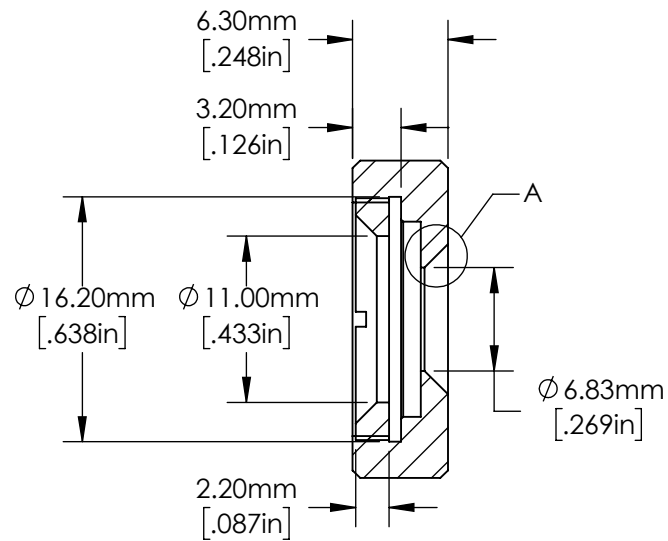
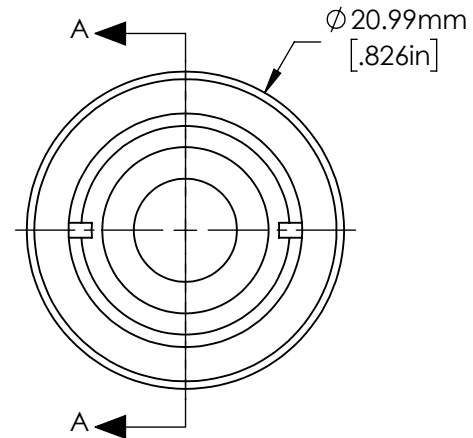


DETAIL A



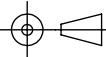
SECTION A-A



SPECIFICATIONS SUBJECT TO CHANGE WITHOUT NOTICE  
DIMENSIONS ARE FOR REFERENCE ONLY

**FOR INFORMATION ONLY:  
DO NOT MANUFACTURE  
PARTS TO THIS DRAWING**

**EO**® Edmund Optics®

THIRD ANGLE PROJECTION 		TITLE	f/4.0 Filter Holder for 50mm Cx Lens	
ALL DIMS IN	mm	DWG NO	33690	SHEET 1 OF 1