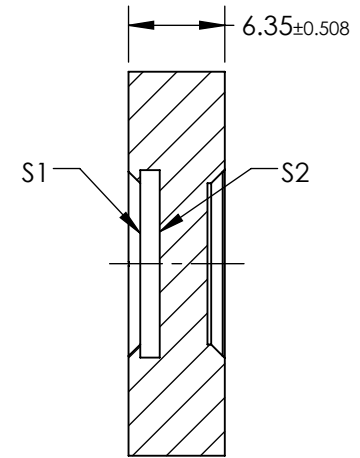
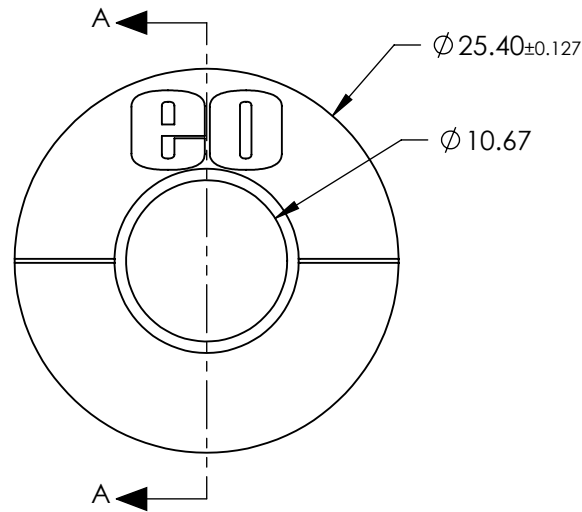
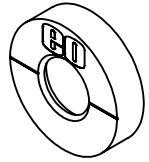


NOTES:

1. SUBSTRATE:  
N-BK7
2. REFLECTION: 0.5%  
DAMAGE THRESHOLD,  
PULSED: Visible: 300 mJ/cm<sup>2</sup> @ 10ns, 1064nm: 500 mJ/cm<sup>2</sup> @ 10ns  
CW: 500 W/cm<sup>2</sup>
3. BEAM DEVIATION: 1 arcmin
4. RETARDANCE:  $\lambda/4 \pm \lambda/100$
5. DESIGN WAVELENGTH: 630 - 835nm
6. CONSTRUCTION: Birefringent Polymer Stack
7. OPERATING TEMPERATURE (°C): -20 to +50
8. ROHS: COMPLIANT
9. PRECISION POLYMER WAVEPLATES (RETARDERS) ARE MOUNTED IN A METAL RING WITH THE FAST AXIS CLEARLY MARKED



SECTION A-A

**FOR INFORMATION ONLY:  
DO NOT MANUFACTURE  
PARTS TO THIS DRAWING**

SPECIFICATIONS SUBJECT TO CHANGE WITHOUT NOTICE  
DIMENSIONS ARE FOR REFERENCE ONLY

**EO**® Edmund Optics®

	S1	S2	THIRD ANGLE PROJECTION		TITLE	$\lambda/4$ 630-835nm, Polymer Achromatic Retarder	
CLEAR APERTURE	Ø10.16	Ø10.16	ALL DIMS IN	mm	DWG NO	49233	SHEET 1 OF 1
SURFACE QUALITY	40-20	40-20					