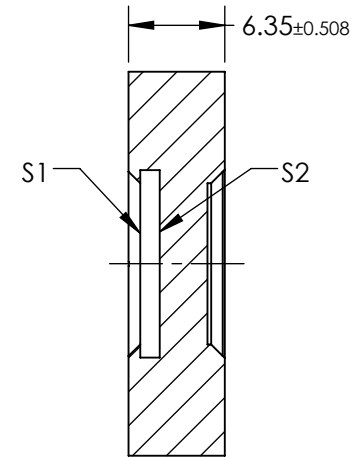
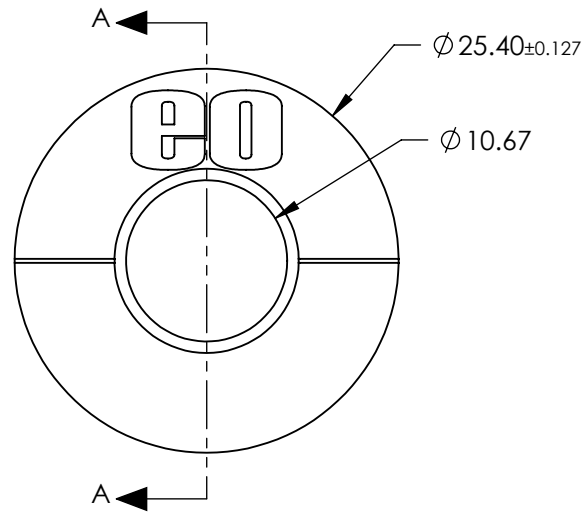
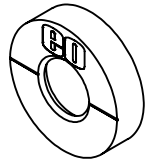


NOTES:

1. SUBSTRATE:  
N-BK7
2. REFLECTION: 0.5%  
DAMAGE THRESHOLD,  
PULSED: Visible: 600 mJ/cm<sup>2</sup> @ 20ns, 1064nm: 4 J/cm<sup>2</sup> @ 20ns  
CW: 500 W/cm<sup>2</sup>
3. BEAM DEVIATION: 1 arcmin
4. RETARDANCE:  $\lambda/2 \pm \lambda/350$
5. DESIGN WAVELENGTH: 632.8nm
6. CONSTRUCTION: Birefringent Polymer Stack
7. OPERATING TEMPERATURE (°C): -20 to +50
8. ROHS: COMPLIANT
9. PRECISION POLYMER WAVEPLATES (RETARDERS) ARE MOUNTED IN A METAL RING WITH THE FAST AXIS CLEARLY MARKED



SECTION A-A

**FOR INFORMATION ONLY:  
DO NOT MANUFACTURE  
PARTS TO THIS DRAWING**

SPECIFICATIONS SUBJECT TO CHANGE WITHOUT NOTICE  
DIMENSIONS ARE FOR REFERENCE ONLY

**EO**® Edmund Optics®

	S1	S2	THIRD ANGLE PROJECTION		TITLE	632.8nm, $\lambda/2$ Precision Zero Order Retarder	
CLEAR APERTURE	Ø10.16	Ø10.16	ALL DIMS IN	mm	DWG NO	49211	SHEET 1 OF 1
SURFACE QUALITY	40-20	40-20					