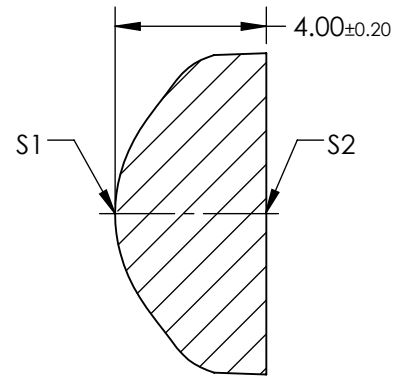
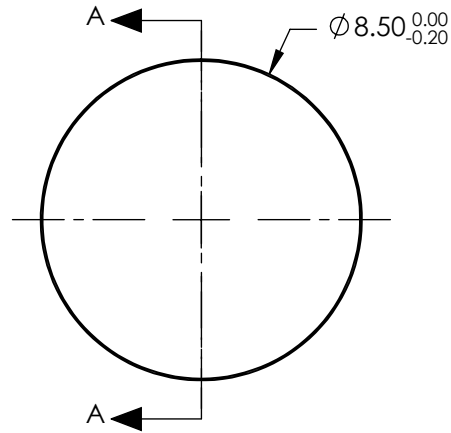


NOTES:

1. SUBSTRATE: LIBA2000+
2. COATING:
S1 & S2: NONE
3. FOCAL LENGTH TOLERANCE: ±5%
4. CENTERING: 25 ARCMIN
5. RoHS: COMPLIANT
6. ASPHERIC SURFACE DESCRIBED BY THE FOLLOWING EQUATION AND COEFFICIENTS SHOWN IN TABLE BELOW

$$Z_{ASPH}(Y) = \frac{(\frac{1}{RADIUS}) * Y^2}{1 + \sqrt{1 - (1+k) * (\frac{1}{RADIUS})^2 * Y^2}} + D * Y^2 + E * Y^4 + F * Y^6 + G * Y^8 + H * Y^{10} + J * Y^{12} + L * Y^{14}$$

FOR INFORMATION ONLY:
DO NOT MANUFACTURE
PARTS TO THIS DRAWING



SECTION A-A

COEFFICIENT TABLE	
COEFFICIENT	S1
SEMI-DIAMETER	4.250000E+00
(1/RADIUS)	0.258398E+00
k	-0.925000E+00
D	0.000000E+00
E	-0.003740E+00
F	0.001541E+00
G	0.000170E+00
H	5.360000E-06
J	0.000000E+00
L	0.000000E+00

SPECIFICATIONS SUBJECT TO CHANGE WITHOUT NOTICE
DIMENSIONS ARE FOR REFERENCE ONLY

	S1	S2
SHAPE	CONVEX	PLANO
SURFACE QUALITY	80-50(TYPICAL)	80-50(TYPICAL)
CLEAR APERTURE	Ø6.80	Ø6.80
BEVEL	PROTECTIVE AS NEEDED	PROTECTIVE AS NEEDED

EFL: 7.4mm		Edmund Optics®	
BFL: 4.77mm			
 THIRD ANGLE PROJECTION		TITLE	8.5mm DIA. X 7.4mm FL, UNCOATED MOLDED ASPHERIC CONDENSER LENS
ALL DIMS IN	mm	DWG NO	34457
			SHEET 1 OF 1