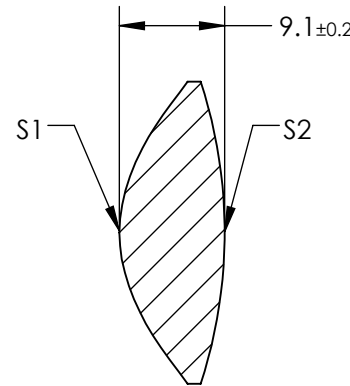
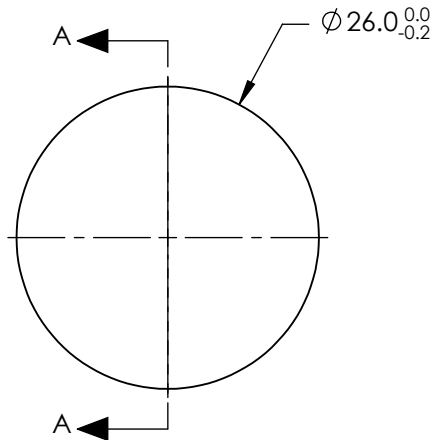


NOTES:

1. SUBSTRATE: LIBA2000
2. COATING:
S1 & S2: ¼ WAVE MgF2 @ 550nm
3. FOCAL LENGTH TOLERANCE: ±5%
4. CENTERING: 25 ARCMIN
5. RoHS: COMPLIANT
6. ASPHERIC SURFACE DESCRIBED BY THE FOLLOWING EQUATION AND COEFFICIENTS SHOWN IN TABLE BELOW

$$Z_{ASPH}(Y) = \frac{(\frac{1}{RADIUS}) * Y^2}{1 + \sqrt{1 - (1+k) * (\frac{1}{RADIUS})^2 * Y^2}} + D * Y^2 + E * Y^4 + F * Y^6 + G * Y^8 + H * Y^{10} + J * Y^{12} + L * Y^{14}$$

**FOR INFORMATION ONLY:
DO NOT MANUFACTURE
PARTS TO THIS DRAWING**


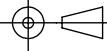


SECTION A-A

COEFFICIENT TABLE	
COEFFICIENT	S1
SEMI-DIAMETER	13.000000E+00
(1/RADIUS)	8.076240E-02
k	-1.000000E+00
D	0.000000E+00
E	-8.260000E-05
F	6.750000E-07
G	-2.300000E+09
H	0.000000E+00
J	0.000000E+00
L	0.000000E+00

SPECIFICATIONS SUBJECT TO CHANGE WITHOUT NOTICE
DIMENSIONS ARE FOR REFERENCE ONLY

	S1	S2
SHAPE	CONVEX	CONVEX
SURFACE QUALITY	80-50(TYPICAL)	80-50(TYPICAL)
CLEAR APERTURE	Ø20.80	Ø20.80
BEVEL	PROTECTIVE AS NEEDED	PROTECTIVE AS NEEDED

EFL: 19.5mm		 Edmund Optics®	
BFL: 14.63mm			
THIRD ANGLE PROJECTION		TITLE	26mm DIA. X 19.5mm FL, MgF2 MOLDED ASPHERIC CONDENSER LENS
ALL DIMS IN	mm	DWG NO	35064
			SHEET 1 OF 1