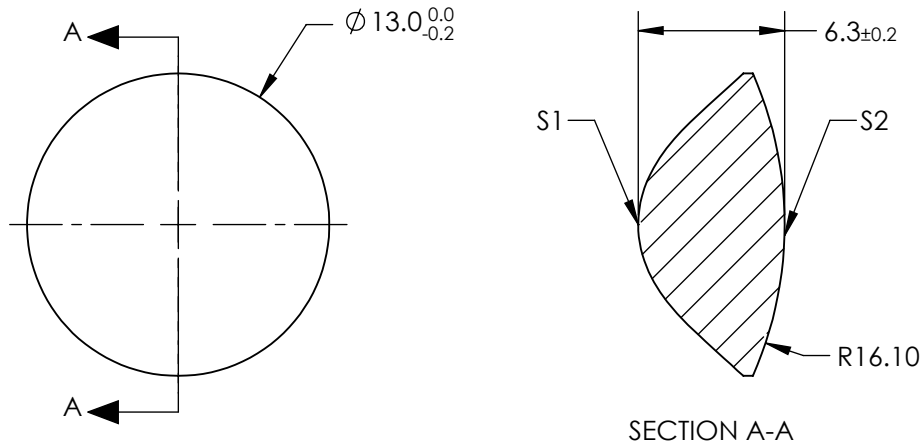


NOTES:

1. SUBSTRATE: LIBA2000+
2. COATING:
S1 & S2: ¼ WAVE MgF2 @ 550nm
3. FOCAL LENGTH TOLERANCE: ±5%
4. CENTERING: 25 ARCMIN
5. RoHS: COMPLIANT
6. ASPHERIC SURFACE DESCRIBED BY THE FOLLOWING EQUATION AND COEFFICIENTS SHOWN IN TABLE BELOW

$$Z_{ASPH}(Y) = \frac{(\frac{1}{RADIUS}) * Y^2}{1 + \sqrt{1 - (1+k) * (\frac{1}{RADIUS})^2 * Y^2}} + D * Y^2 + E * Y^4 + F * Y^6 + G * Y^8 + H * Y^{10} + J * Y^{12} + L * Y^{14}$$

FOR INFORMATION ONLY:
DO NOT MANUFACTURE
PARTS TO THIS DRAWING



COEFFICIENT TABLE	
COEFFICIENT	S1
SEMI-DIAMETER	6.500000E+00
(1/RADIUS)	0.218292E+00
k	-4.054640E+00
D	0.000000E+00
E	0.003615E+00
F	-9.000000E-05
G	7.280000E-07
H	0.000000E+00
J	0.000000E+00
L	0.000000E+00

SPECIFICATIONS SUBJECT TO CHANGE WITHOUT NOTICE
DIMENSIONS ARE FOR REFERENCE ONLY

	S1	S2
SHAPE	CONVEX	CONVEX
SURFACE QUALITY	80-50(TYPICAL)	80-50(TYPICAL)
CLEAR APERTURE	Ø10.40	Ø10.40
BEVEL	PROTECTIVE AS NEEDED	PROTECTIVE AS NEEDED

EFL: 7.4mm			
BFL: 3.77mm			
		TITLE	13mm DIA. X 7.4mm FL, MgF2 MOLDED ASPHERIC CONDENSER LENS
ALL DIMS IN	mm	DWG NO	35044
			SHEET 1 OF 1