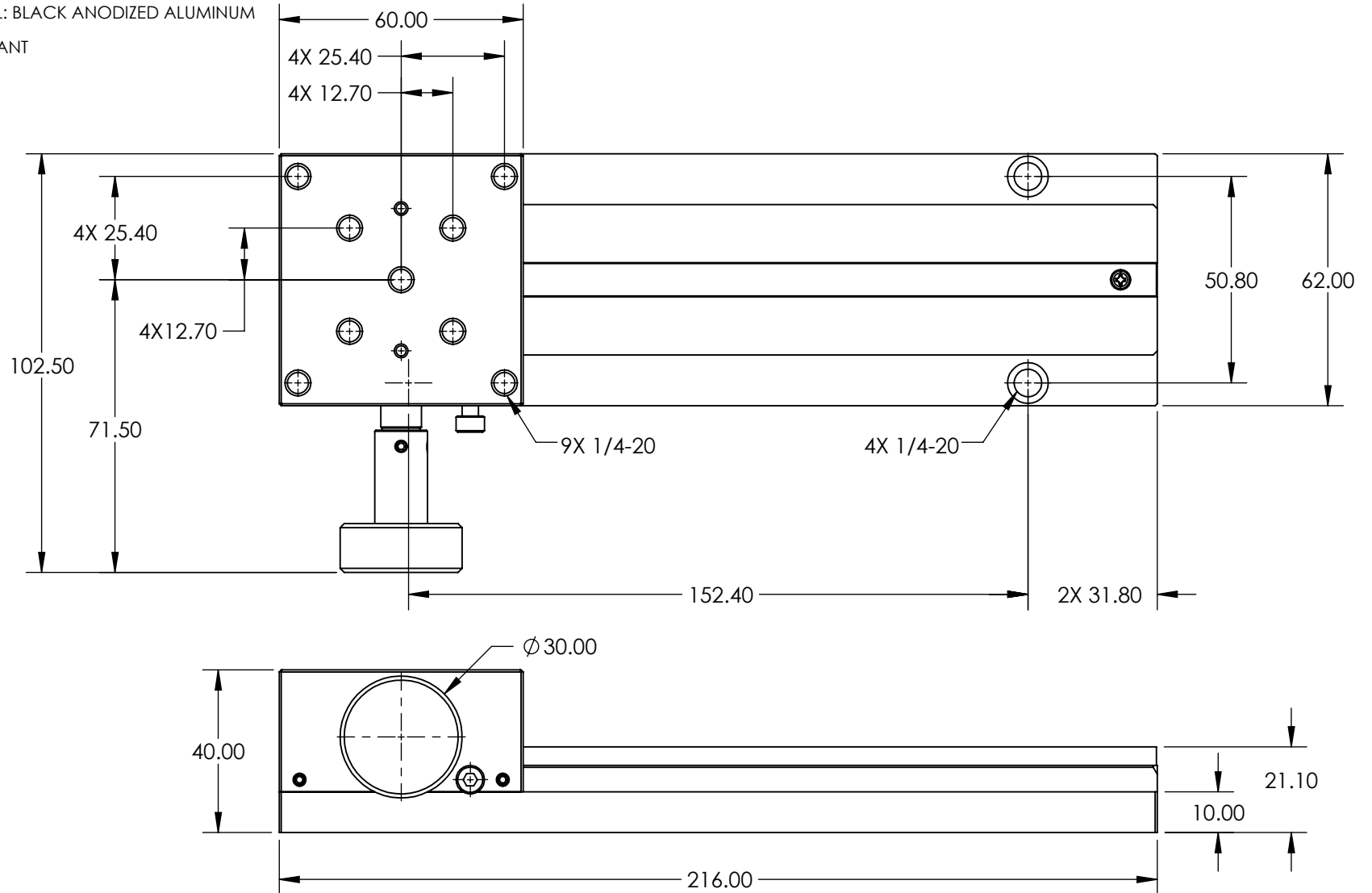


NOTES:

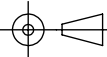
- 1. MAIN MATERIAL: BLACK ANODIZED ALUMINUM
- 2. RoHS: COMPLIANT



SPECIFICATIONS SUBJECT TO CHANGE WITHOUT NOTICE  
 DIMENSIONS ARE FOR REFERENCE ONLY

**FOR INFORMATION ONLY:  
 DO NOT MANUFACTURE  
 PARTS TO THIS DRAWING**

**EO**® Edmund Optics®

THIRD ANGLE PROJECTION 		TITLE	ONE KNOB STAGE & 6" TRACK COMBINATION	
ALL DIMS IN	mm	DWG NO	59336	SHEET 1 OF 1