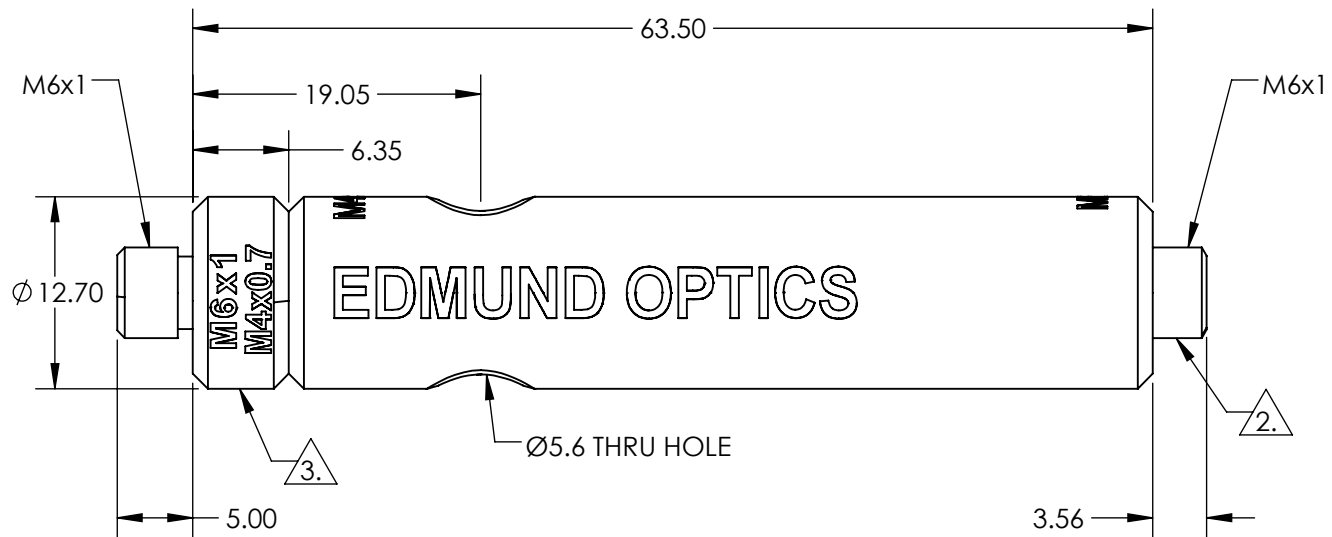


NOTES:

1. ROHS: COMPLIANT
2. REMOVEABLE THREAD CONVERTER
3. REMOVEABLE THREADED STUD



SPECIFICATIONS SUBJECT TO CHANGE WITHOUT NOTICE  
DIMENSIONS ARE FOR REFERENCE ONLY



**FOR INFORMATION ONLY:  
DO NOT MANUFACTURE  
PARTS TO THIS DRAWING**

THIRD ANGLE PROJECTION		TITLE	63.5mm LENGTH, M6 STUD, STEEL POST	
ALL DIMS IN	mm	DWG NO	59760	SHEET 1 OF 1