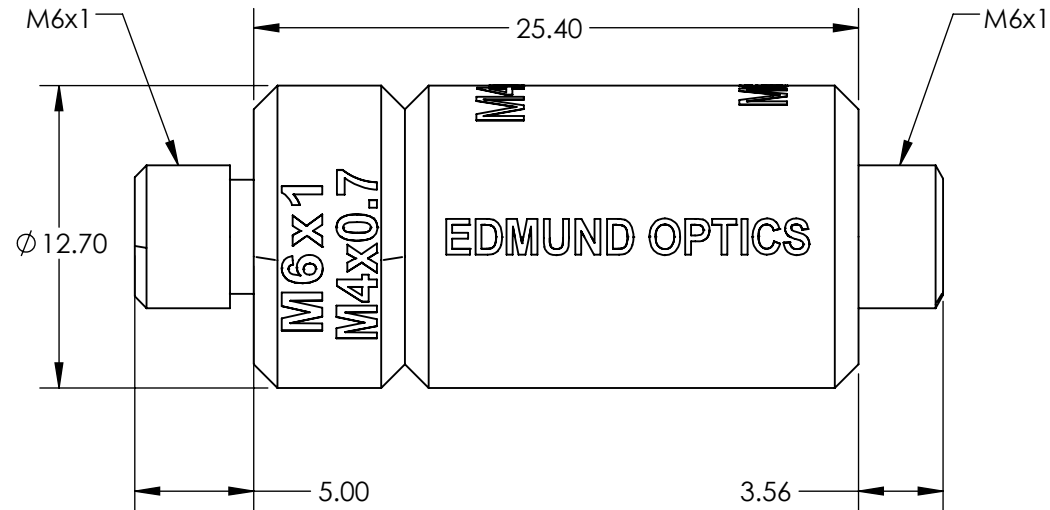
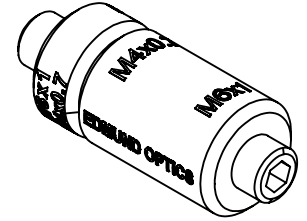


NOTES:

1. ROHS: COMPLIANT



SPECIFICATIONS SUBJECT TO CHANGE WITHOUT NOTICE
DIMENSIONS ARE FOR REFERENCE ONLY

**FOR INFORMATION ONLY:
DO NOT MANUFACTURE
PARTS TO THIS DRAWING**

EO[®] Edmund Optics[®]

THIRD ANGLE PROJECTION		TITLE	25.4mm LENGTH, M6 STUD, STEEL POST	
ALL DIMS IN	mm	DWG NO	59757	SHEET 1 OF 1