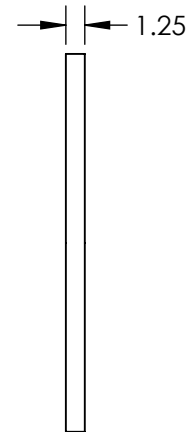
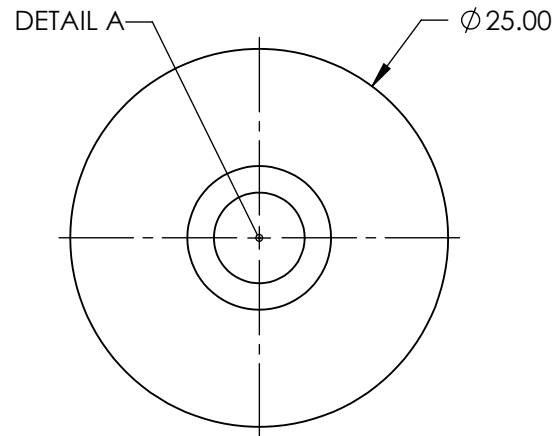
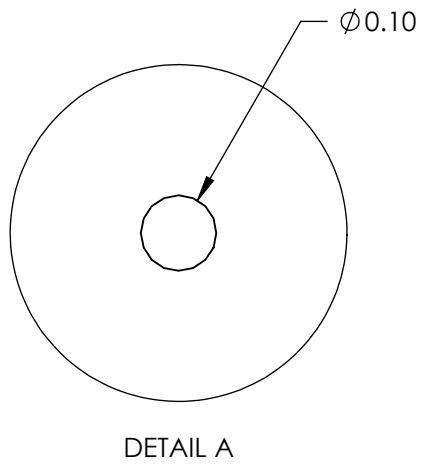
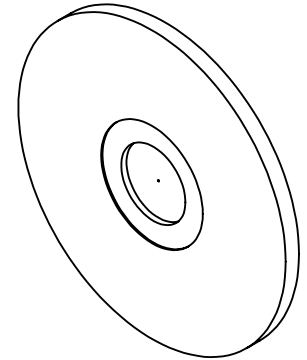


NOTES:

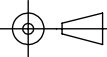
1. MATERIAL: STAINLESS STEEL
2. RoHS: COMPLIANT



SPECIFICATIONS SUBJECT TO CHANGE WITHOUT NOTICE  
 DIMENSIONS ARE FOR REFERENCE ONLY

**EO**® Edmund Optics®

**FOR INFORMATION ONLY:  
 DO NOT MANUFACTURE  
 PARTS TO THIS DRAWING**

THIRD ANGLE PROJECTION 		TITLE	100µm APERTURE DIAMETER, MOUNTED, PPRECISION PINHOLE	
ALL DIMS IN	mm	DWG NO	56283	SHEET 1 OF 1