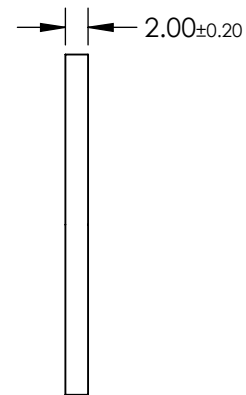
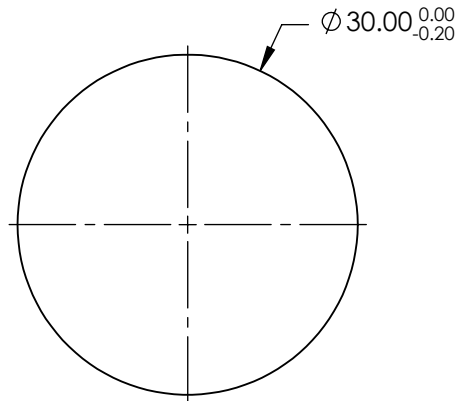
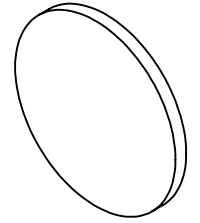


NOTES:

1. SUBSTRATE: B270
2. COATING (APPLY ACROSS COATING APERTURE)
S1 &S2: AR COATED
3. CONSTRUCTION: DICHROIC
4. THE POLARIZER CONSISTS OF A POLYMER POLARIZATION FILM CEMENTED BETWEEN TWO PIECES OF OPTICAL GLASS
5. ROHS: COMPLIANT



**FOR INFORMATION ONLY:
DO NOT MANUFACTURE
PARTS TO THIS DRAWING**

SPECIFICATIONS SUBJECT TO CHANGE WITHOUT NOTICE
DIMENSIONS ARE FOR REFERENCE ONLY

EO® Edmund Optics®

REV. A	VALUE	THIRD ANGLE PROJECTION		TITLE	Ø30mm 750-850nm, NIR LINEAR POLARIZER	
WAVELENGTH RANGE (nm)	750 - 850	ALL DIMS IN	mm	DWG NO	48893	
EXTINCTION RATIO	>1000:1			SHEET		1 OF 1
TRANSMISSION	30%					