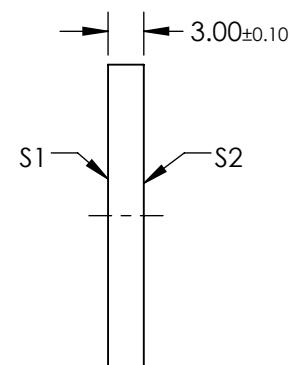
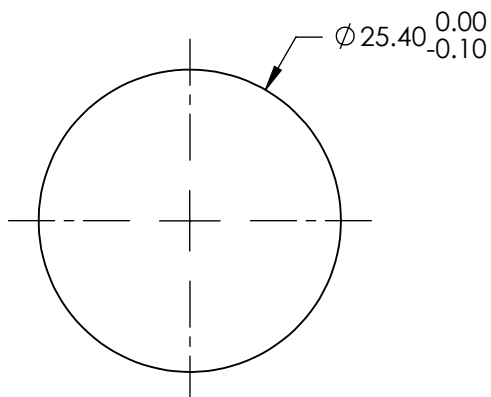
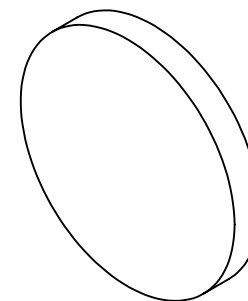


NOTES:

1. SUBSTRATE: FUSED SILICA
2. RoHS: COMPLIANT
3. EXTINCTION RATIO: 20
4. SURFACE S2 TO BE PARALLEL TO SURFACE S1 TO WITHIN <30 arcsec
5. ANGLE OF INCIDENCE: 72°
6. WAVELENGTH RANGE: 750 - 850nm
7. DAMAGE THRESHOLD,
 PULSED: TYPICAL: 5 J/cm² @ 1064nm, 10ns
 CONTRAST: Tp:Ts >20:1
 TRANSMISSION (%): Tp >85 / Ts <4



**FOR INFORMATION ONLY:
DO NOT MANUFACTURE
PARTS TO THIS DRAWING**

SPECIFICATIONS SUBJECT TO CHANGE WITHOUT NOTICE
DIMENSIONS ARE FOR REFERENCE ONLY

	S1	S2				
SHAPE	PLANO	PLANO				
SURFACE QUALITY	20-10	20-10				
CLEAR APERTURE	22.86	22.86				
SURFACE FLATNESS	λ/6	λ/6				
			THIRD ANGLE PROJECTION		TITLE	25.4mm Dia, Transmission, Ultrafast Polarizer 750 - 850nm
			ALL DIMS IN	mm	DWG NO	88235
						SHEET 1 OF 1

EO® Edmund Optics®