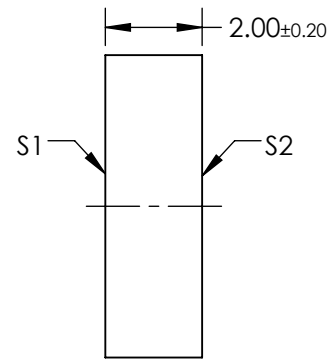
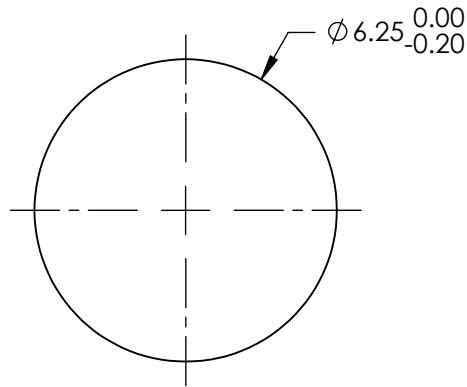
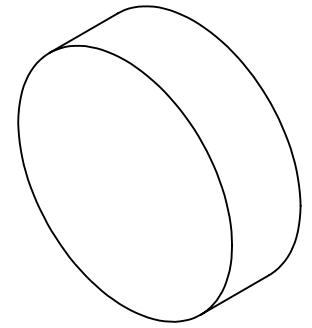


NOTES:

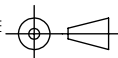
1. SUBSTRATE: B270
2. RoHS: COMPLIANT
3. SURFACE S2 TO BE PARALLEL TO SURFACE S1 TO WITHIN < 4 arcmin
4. S1 & S2:  
AR: Ravg < 0.5% @ 400 - 700nm



**FOR INFORMATION ONLY:  
DO NOT MANUFACTURE  
PARTS TO THIS DRAWING**

SPECIFICATIONS SUBJECT TO CHANGE WITHOUT NOTICE  
DIMENSIONS ARE FOR REFERENCE ONLY

REV. A	
EXTINCTION RATIO	10000
OPERATING TEMPERATURE (°C)	-25 to +65
SURFACE FLATNESS	<1λ
TRANSMISSION	25% @ ±2%

THIRD ANGLE PROJECTION 

ALL DIMS IN mm

**EO**® **Edmund Optics**®

TITLE: 6.25mm DIA. HIGH CONTRAST LINEAR GLASS POLARIZER

DWG NO: 66180

SHEET 1 OF 1