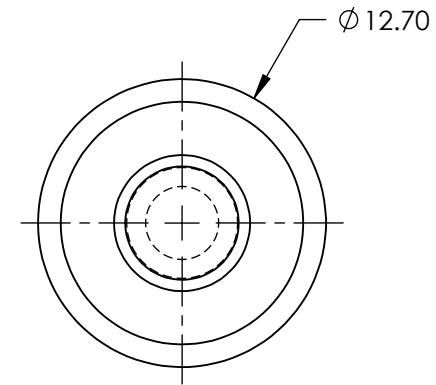
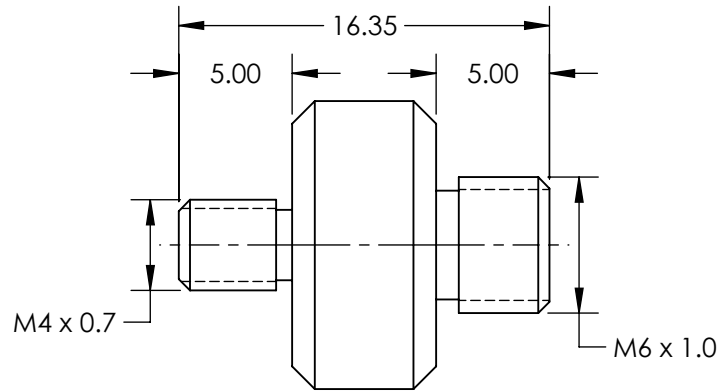
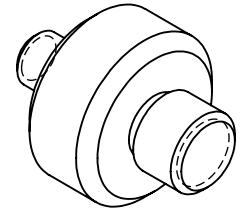


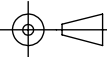
NOTES:
 1. RoHS: COMPLIANT



SPECIFICATIONS SUBJECT TO CHANGE WITHOUT NOTICE
 DIMENSIONS ARE FOR REFERENCE ONLY

EO[®] Edmund Optics[®]

**FOR INFORMATION ONLY:
 DO NOT MANUFACTURE
 PARTS TO THIS DRAWING**

THIRD ANGLE PROJECTION 		TITLE	M4 MALE TO M6 MALE, THREAD ADAPTER	
ALL DIMS IN	mm	DWG NO	58985	SHEET 1 OF 1