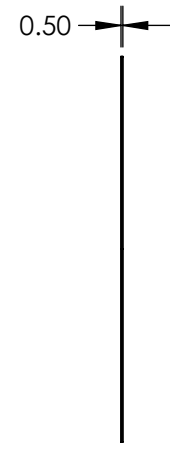
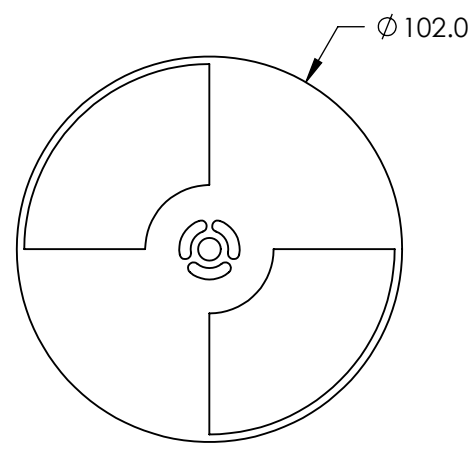
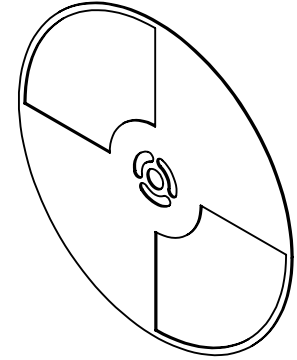


NOTES:

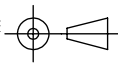
1. MATERIAL: HALF HARD BRASS, CHEMICALLY BLACKENED FINISH
2. RoHS: COMPLIANT



**FOR INFORMATION ONLY:
DO NOT MANUFACTURE
PARTS TO THIS DRAWING**

SPECIFICATIONS SUBJECT TO CHANGE WITHOUT NOTICE
DIMENSIONS ARE FOR REFERENCE ONLY



	VALUE	THIRD ANGLE PROJECTION 		TITLE	STANDARD REPLACEMENT BLADE - 2 SLOT		
MAX APERTURE (mm)	77.0 PER SLOT	ALL DIMS IN	mm	DWG NO	56066		
MAX PHASE JITTER (°)	±2			SHEET		1 OF 1	
FREQUENCY (Hz)	5 - 200						