

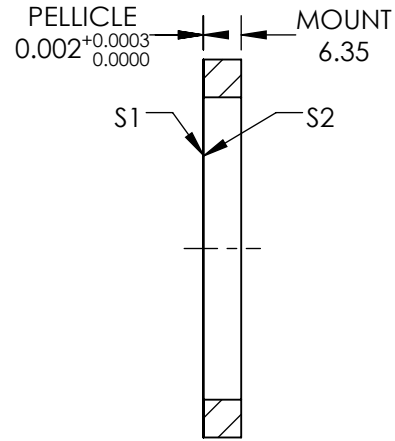
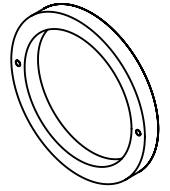
NOTES:

- SUBSTRATE MATERIAL:  
NITROCELLULOSE
- COATING (APPLY ACROSS COATING APERTURE)

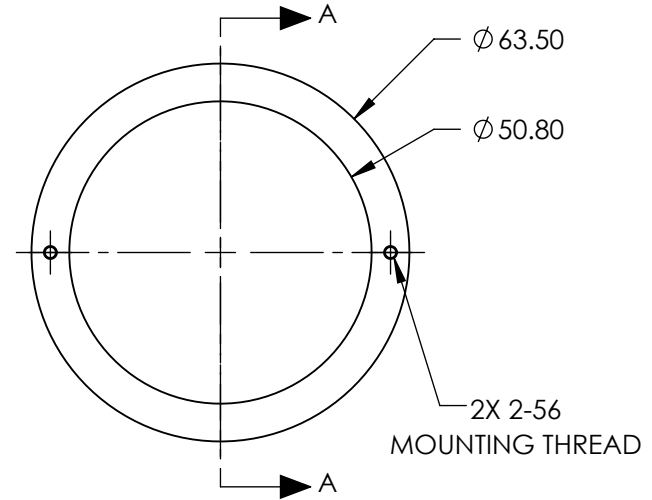
S1: DIELECTRIC  
50% R @ 632.8nm @ 45° AOI  
50% T @ 632.8nm @ 45° AOI  
R/T TOLERANCE: ±3%

S2: NONE

- ROHS : EXEMPT



SECTION A-A



**FOR INFORMATION ONLY:  
DO NOT MANUFACTURE  
PARTS TO THIS DRAWING**

SPECIFICATIONS SUBJECT TO CHANGE WITHOUT NOTICE  
DIMENSIONS ARE FOR REFERENCE ONLY

REV.A.	S1	S2
SHAPE	PLANO	PLANO
SURFACE QUALITY	40-20	40-20
CLEAR APERTURE	Ø50.80	Ø50.80
BEVEL	PROTECTIVE AS NEEDED	PROTECTIVE AS NEEDED

THIRD ANGLE PROJECTION

ALL DIMS IN mm

**EO**® Edmund Optics®

TITLE

BS PELLICLE 2in DIA 50R/50T

DWG NO

39485

SHEET  
1 OF 1