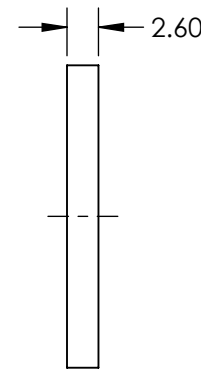
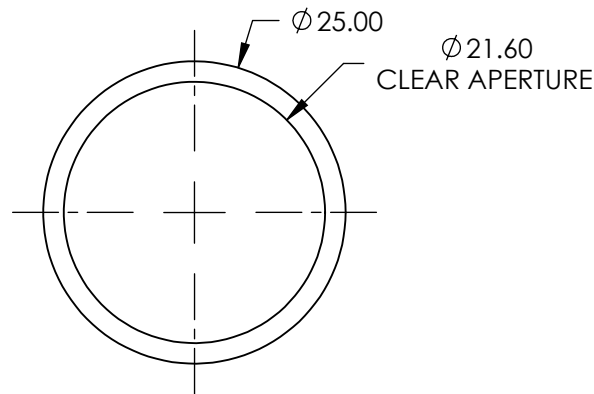
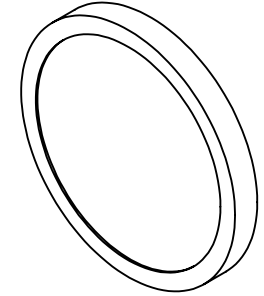


**FOR INFORMATION ONLY:  
DO NOT MANUFACTURE  
PARTS TO THIS DRAWING**



ANGLE TOLERANCE (°)	±4
DIFFUSING ANGLE (°)	40 (FWHM)
DAMAGE THRESHOLD, PULSED	0.22 J/cm <sup>2</sup> @ 1064nm @ 10ns
OPERATING TEMPERATURE (°C)	-30 to +100 (Maximum of 240 Hours)
SUBSTRATE	Polycarbonate
TRANSMISSION (%)	>85
WAVELENGTH RANGE (nm)	400 - 1600
RoHS	COMPLIANT

SPECIFICATIONS SUBJECT TO CHANGE WITHOUT NOTICE  
DIMENSIONS ARE FOR REFERENCE ONLY

**EO**<sup>®</sup> **Edmund Optics**<sup>®</sup>



THIRD ANGLE  
PROJECTION

TITLE

40° Diffusing Angle 25mm Dia Mounted

ALL DIMS IN

mm

DWG NO

54502

SHEET  
1 OF 1