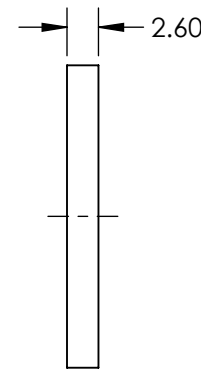
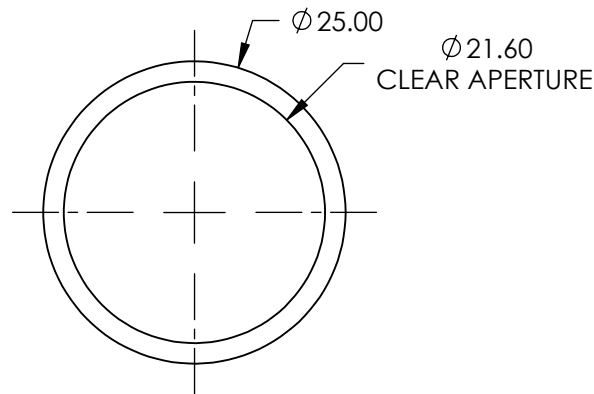
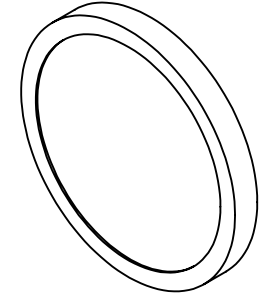


**FOR INFORMATION ONLY:  
DO NOT MANUFACTURE  
PARTS TO THIS DRAWING**



ANGLE TOLERANCE (°)	±1.5
DIFFUSING ANGLE (°)	15 (FWHM)
DAMAGE THRESHOLD, PULSED	0.22 J/cm <sup>2</sup> @ 1064nm @ 10ns
OPERATING TEMPERATURE (°C)	-30 to +100 (Maximum of 240 Hours)
SUBSTRATE	Polycarbonate
TRANSMISSION (%)	>85
WAVELENGTH RANGE (nm)	400 - 1600
RoHS	COMPLIANT

SPECIFICATIONS SUBJECT TO CHANGE WITHOUT NOTICE  
DIMENSIONS ARE FOR REFERENCE ONLY

**EO**® **Edmund Optics**®



TITLE	15° Diffusing Angle 25mm Dia Mounted		
DWG NO	54494	SHEET	1 OF 1

ALL DIMS IN mm