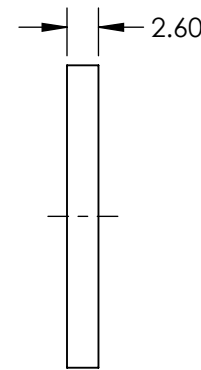
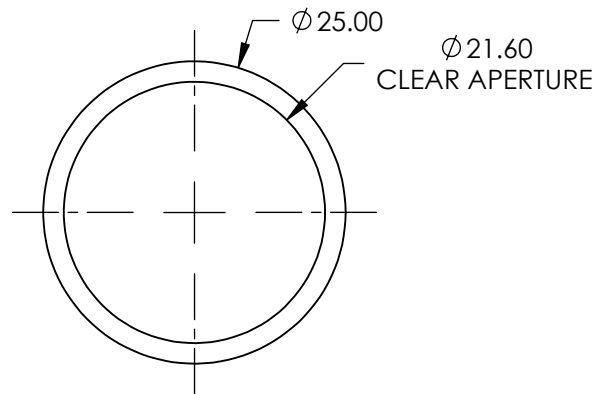
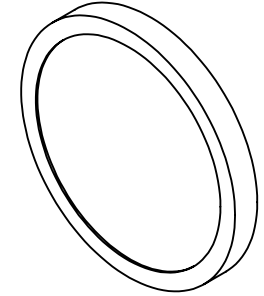


**FOR INFORMATION ONLY:
DO NOT MANUFACTURE
PARTS TO THIS DRAWING**



ANGLE TOLERANCE (°)	$\pm 1 \times \pm 3$
DIFFUSING ANGLE (°)	5 x 30 (FWHM)
DAMAGE THRESHOLD, PULSED	0.22 J/cm ² @ 1064nm @ 10ns
OPERATING TEMPERATURE (°C)	-30 to +100 (Maximum of 240 Hours)
SUBSTRATE	Polycarbonate
TRANSMISSION (%)	>85
WAVELENGTH RANGE (nm)	400 - 1600
RoHS	COMPLIANT

SPECIFICATIONS SUBJECT TO CHANGE WITHOUT NOTICE
DIMENSIONS ARE FOR REFERENCE ONLY

EO[®] **Edmund Optics**[®]



THIRD ANGLE
PROJECTION

TITLE	5 x 30° Diffusing Angle 25mm Dia Mounted		
DWG NO	48005	SHEET	1 OF 1

ALL DIMS IN

mm

DWG NO

48005

SHEET

1 OF 1