

NOTES:

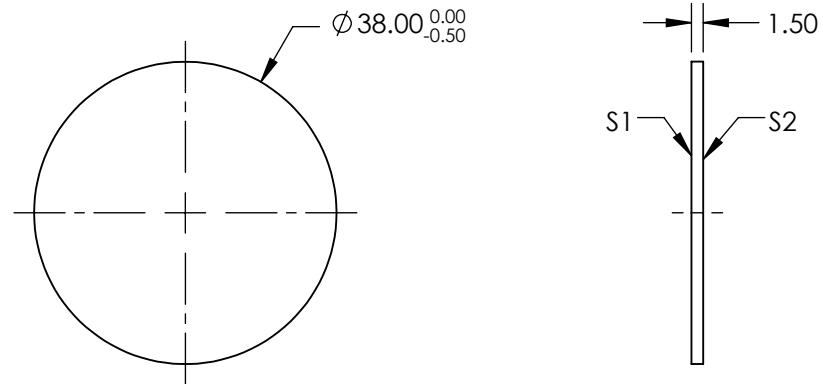
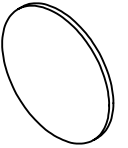
1. SUBSTRATE MATERIAL:
FUSED SILICA
2. SURFACE S1 TO BE PARALLEL TO SURFACE S2 TO WITHIN <3
ARCMIN
3. COATING (APPLY ACROSS COATING APERTURE)

S1: Square Aluminum (AlMgF2) Apertures
 % R ±5% @ 250 - 2000nm @ 0 - 45° AOI
 % T ±5% @ 250 - 2000nm @ 0 - 45° AOI

S2: NONE

4. POLKA DOT CENTER TO CENTER SPACING : 0.15mm
POLKA DOT MINIMUM APERTURE: 2mm

5. ROHS : COMPLIANT

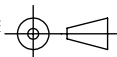


**FOR INFORMATION ONLY:
DO NOT MANUFACTURE
PARTS TO THIS DRAWING**

SPECIFICATIONS SUBJECT TO CHANGE WITHOUT NOTICE
DIMENSIONS ARE FOR REFERENCE ONLY

EO® Edmund Optics®

REV.A.	S1	S2
SHAPE	PLANO	PLANO
SURFACE QUALITY	80-50	80-50
CLEAR APERTURE	35.00	35.00
BEVEL	PROTECTIVE AS NEEDED	PROTECTIVE AS NEEDED

THIRD ANGLE PROJECTION 

ALL DIMS IN mm

TITLE	BS POLKA-DOT 38.0mm DIA		
DWG NO	46460	SHEET	1 OF 1