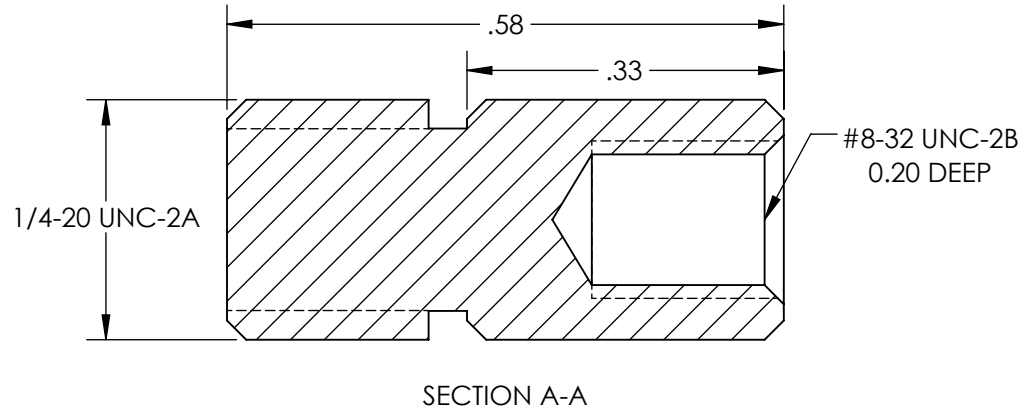
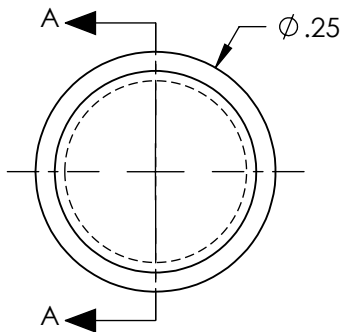
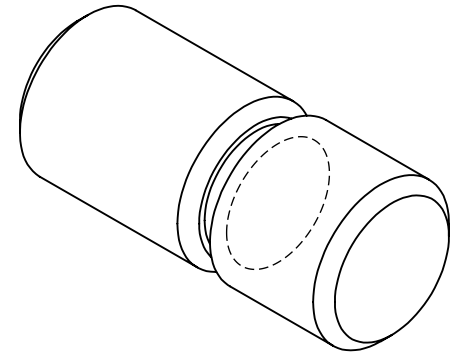


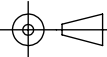
NOTES:  
 1. RoHS: COMPLIANT



SPECIFICATIONS SUBJECT TO CHANGE WITHOUT NOTICE  
 DIMENSIONS ARE FOR REFERENCE ONLY

**EO**® Edmund Optics®

**FOR INFORMATION ONLY:  
 DO NOT MANUFACTURE  
 PARTS TO THIS DRAWING**

THIRD ANGLE PROJECTION 		TITLE	8-32 FEMALE AND 1/4-20 MALE	
ALL DIMS IN	in	DWG NO	53929	SHEET 1 OF 1