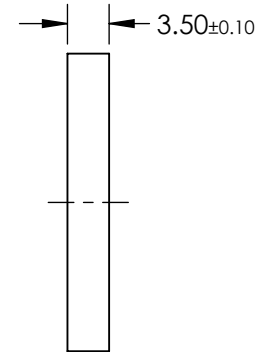
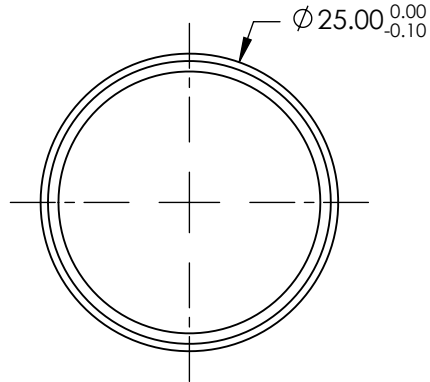
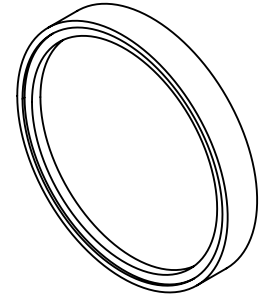


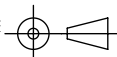
**FOR INFORMATION ONLY:
DO NOT MANUFACTURE
PARTS TO THIS DRAWING**



SUBSTRATE	Fused Silica
ANGLE OF INCIDENCE	0 ± 2
BANDWIDTH (nm)	>550
CENTER WAVELENGTH CWL (nm)	473
OPTICAL DENSITY OD	≥ 6.0
SHAPE	PLANO
SURFACE QUALITY	60-40
TRANSMISSION (%)	93
EDGE STEEPNESS (nm)	2.4
TRANSITION WIDTH (nm)	<4.7
CLEAR APERTURE (%)	>80
DURABILITY	Environmental: MIL-STD-810F, Physical: MIL-C-48497A
RoHS	COMPLIANT

SPECIFICATIONS SUBJECT TO CHANGE WITHOUT NOTICE
DIMENSIONS ARE FOR REFERENCE ONLY

EO® Edmund Optics®

THIRD ANGLE PROJECTION 

ALL DIMS IN mm

TITLE	25mm Dia., 473nm Laser Line Longpass Filter		
DWG NO	47502	SHEET	1 OF 1