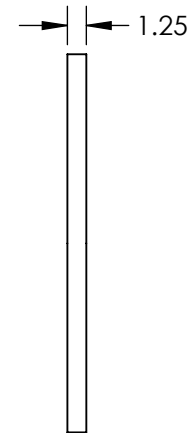
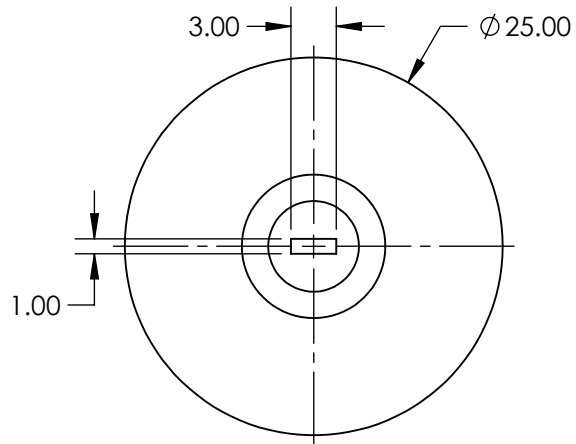
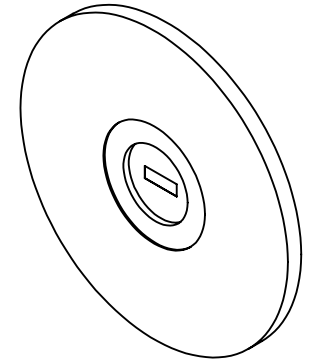


NOTES:

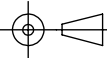
1. MATERIAL: STAINLESS STEEL
2. MOUNT MATERIAL: BLACK ANODIZED ALUMINUM
3. RoHS: COMPLIANT



SPECIFICATIONS SUBJECT TO CHANGE WITHOUT NOTICE  
 DIMENSIONS ARE FOR REFERENCE ONLY

**FOR INFORMATION ONLY:  
 DO NOT MANUFACTURE  
 PARTS TO THIS DRAWING**

**EO**<sup>®</sup> Edmund Optics<sup>®</sup>

THIRD ANGLE PROJECTION 		TITLE	1000µm x 3mm, MOUNTED, PRECISION AIR SLIT	
ALL DIMS IN	mm	DWG NO	58547	SHEET 1 OF 1