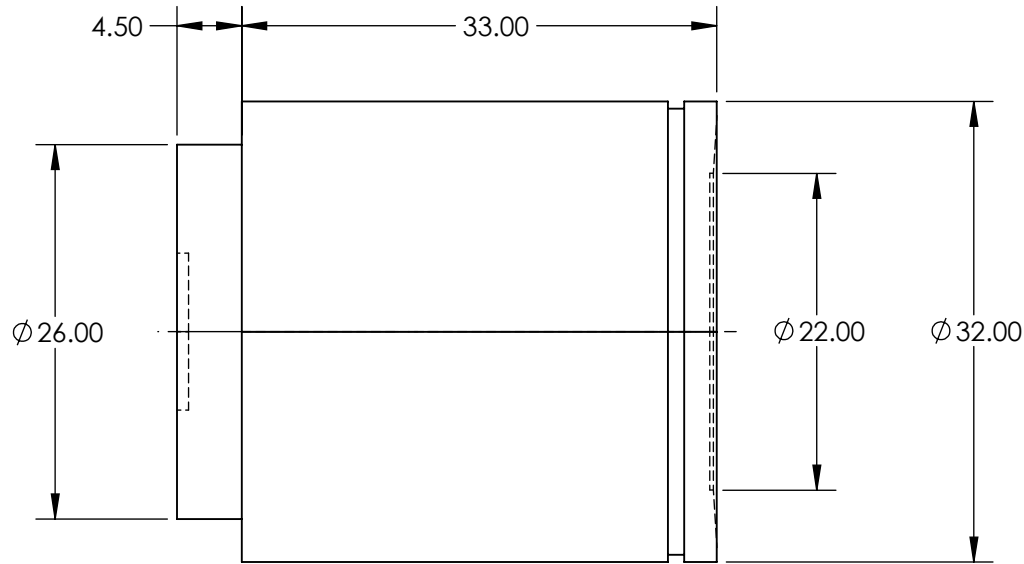
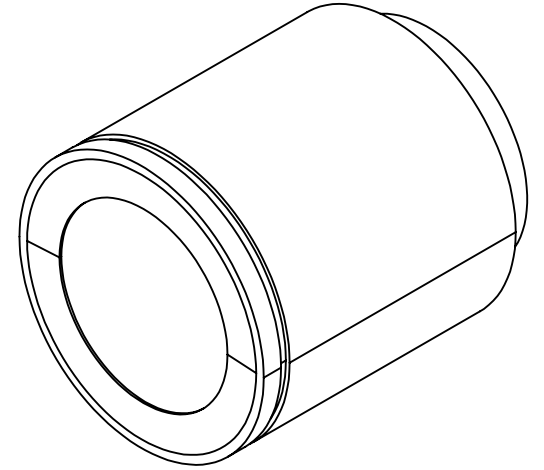
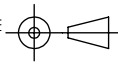


**FOR INFORMATION ONLY:  
DO NOT MANUFACTURE  
PARTS TO THIS DRAWING**



SPECIFICATIONS SUBJECT TO CHANGE WITHOUT NOTICE  
DIMENSIONS ARE FOR REFERENCE ONLY

NUMERICAL APERTURE NA	0.4
MAGNIFICATION	20X
WORKING DISTANCE (mm)	12
FIELD OF VIEW (mm)	1.3
FIELD NUMBER	26.5
RoHS	NOT COMPLIANT

THIRD ANGLE PROJECTION 

ALL DIMS IN mm

**EO**® **Edmund Optics**®

TITLE	Olympus LMPLFLN-BD 20X Objective	
DWG NO	86829	SHEET 1 OF 1