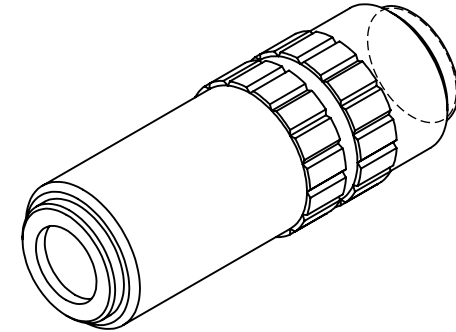
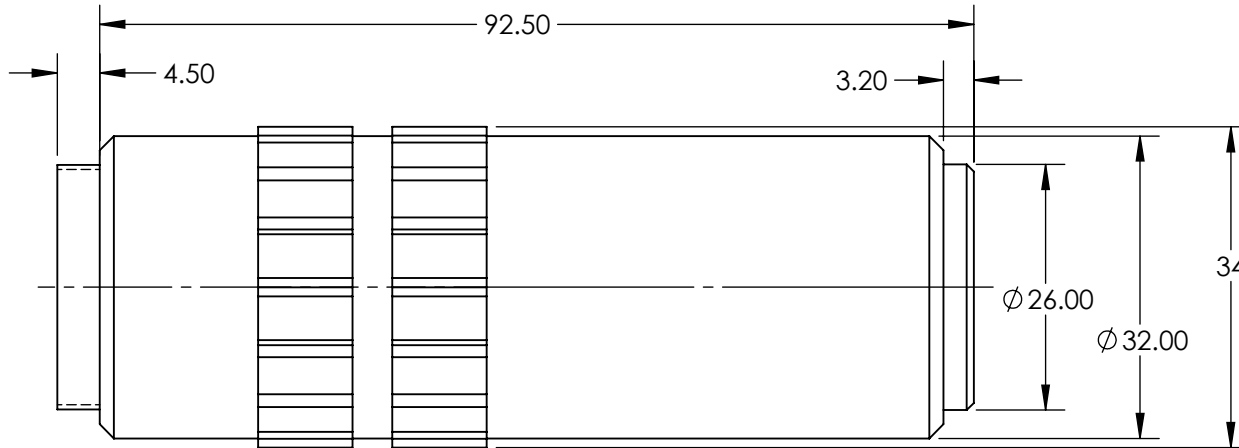


**FOR INFORMATION ONLY:
DO NOT MANUFACTURE
PARTS TO THIS DRAWING**



COMPATIBLE TUBE LENS	Focal Length: 200mm
MAGNIFICATION	100X
MOUNTING THREAD	M26 x 36 TPI
NUMERICAL APERTURE NA	0.8
WORKING DISTANCE (mm)	3
MOUNTING THREADS	M26 x 36 TPI
FOCAL LENGTH FL (mm)	2
TYPE	Plan APO
FIELD OF VIEW, 1" SENSOR	0.128 x 0.096mm
FIELD OF VIEW, 1/2" SENSOR	0.064 x 0.048mm
FIELD OF VIEW, 2/3" SENSOR	0.088 x 0.066mm
FIELD OF VIEW, 24 DIAMETER FIELD EYEPIECE (mm)	0.24
DEPTH OF FOCUS (μm)	0.43
RESOLVING POWER (μm)	0.34
RoHS	NOT COMPLIANT

SPECIFICATIONS SUBJECT TO CHANGE WITHOUT NOTICE
DIMENSIONS ARE FOR REFERENCE ONLY

EO® Edmund Optics®

THIRD ANGLE PROJECTION 

TITLE

100X EO M Plan Apo Long Working Distance
Infinity Corrected

ALL DIMS IN

mm

DWG NO

59880

SHEET
1 OF 1