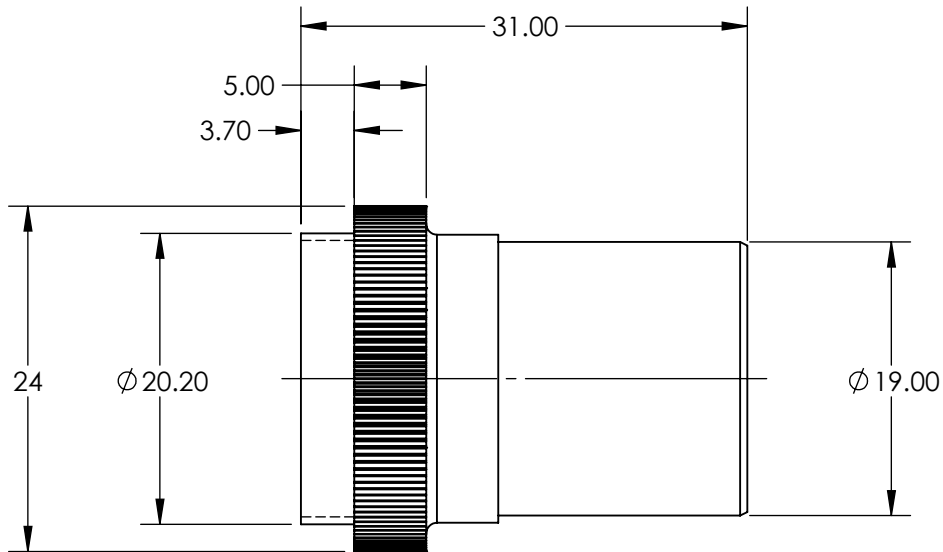
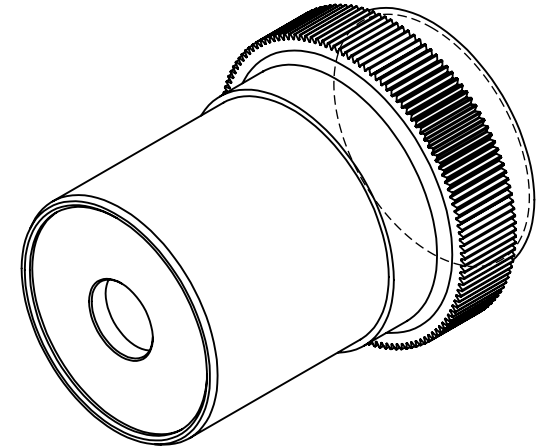


**FOR INFORMATION ONLY:
DO NOT MANUFACTURE
PARTS TO THIS DRAWING**



EFFECTIVE FOCAL LENGTH EFL (mm)	31.04
MAGNIFICATION	4X
MOUNTING THREAD	0.7965-36 TPI, 55° Whitworth
NUMERICAL APERTURE NA	0.1
WORKING DISTANCE (mm)	18.8
LENGTH EXCLUDING THREADS (mm)	26
MAXIMUM DIAMETER (mm)	24
TYPE	Achromatic
RoHS	NOT COMPLIANT

SPECIFICATIONS SUBJECT TO CHANGE WITHOUT NOTICE
DIMENSIONS ARE FOR REFERENCE ONLY



ALL DIMS IN

mm

TITLE

4X DIN Achromatic Commercial Grade
Objective

DWG NO

43902

SHEET
1 OF 1