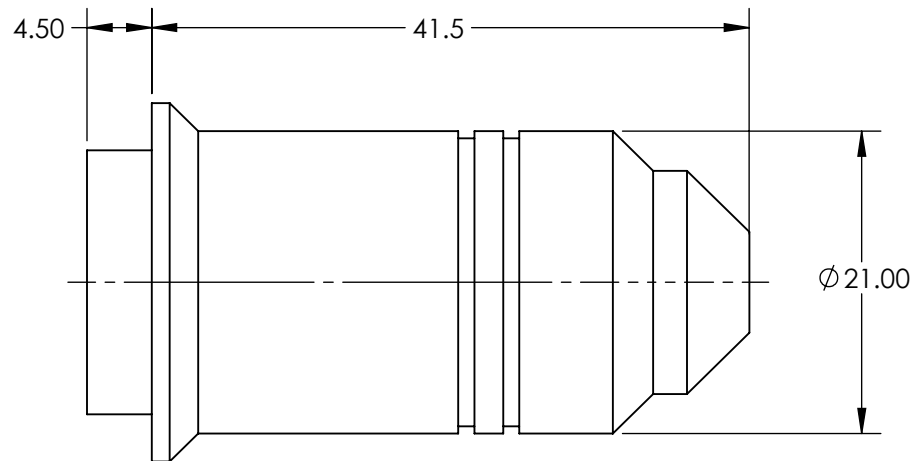
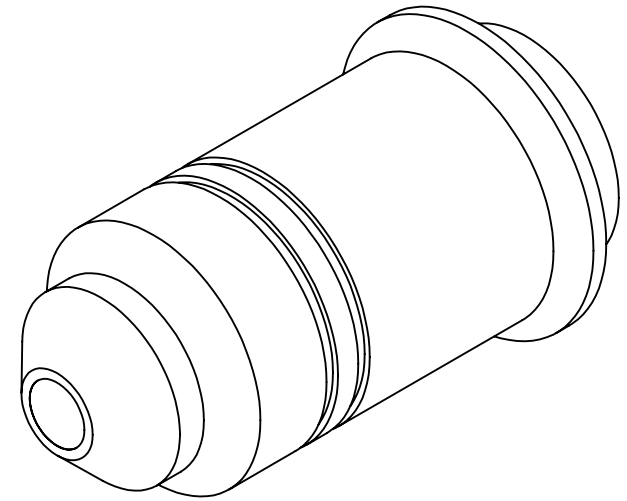


**FOR INFORMATION ONLY:
DO NOT MANUFACTURE
PARTS TO THIS DRAWING**



SPECIFICATIONS SUBJECT TO CHANGE WITHOUT NOTICE
DIMENSIONS ARE FOR REFERENCE ONLY

MAGNIFICATION	20X
NUMERICAL APERTURE NA	0.50
WORKING DISTANCE (mm)	3.5
COVER GLASS THICKNESS (mm)	0.00
FIELD NUMBER	26.5
WORKING DISTANCE (mm)	3.5
RoHS	COMPLIANT

EO® **Edmund Optics**®



THIRD ANGLE
PROJECTION

TITLE

Olympus UNPLFLN 20XW Objective

ALL DIMS IN

mm

DWG NO

34556

SHEET
1 OF 1