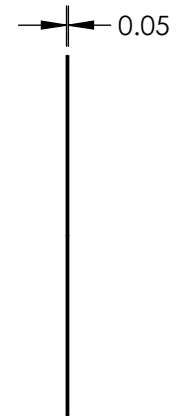
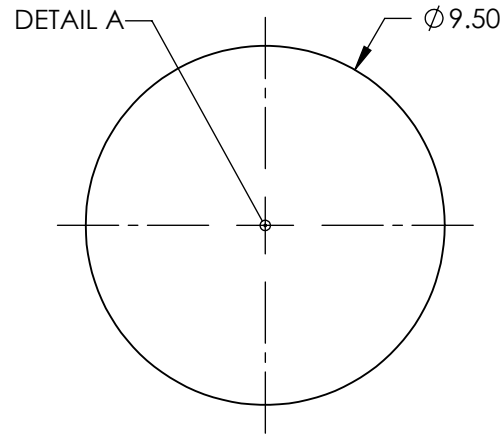
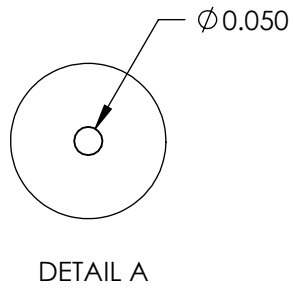
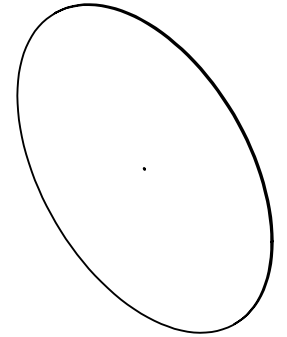


NOTES:

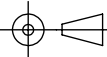
- 1. MATERIAL: TUNGSTEN
- 2. RoHS: COMPLIANT



SPECIFICATIONS SUBJECT TO CHANGE WITHOUT NOTICE
DIMENSIONS ARE FOR REFERENCE ONLY

**FOR INFORMATION ONLY:
DO NOT MANUFACTURE
PARTS TO THIS DRAWING**

EO[®] Edmund Optics[®]

THIRD ANGLE PROJECTION 		TITLE	50 μ m APERTURE DIAMETER, TUNGSTEN APERTURE	
ALL DIMS IN	mm	DWG NO	59261	SHEET 1 OF 1