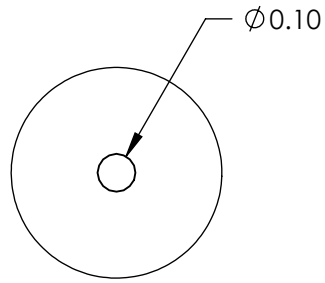
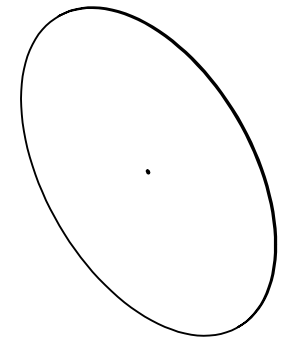
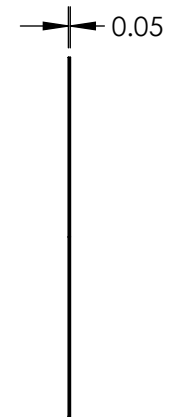
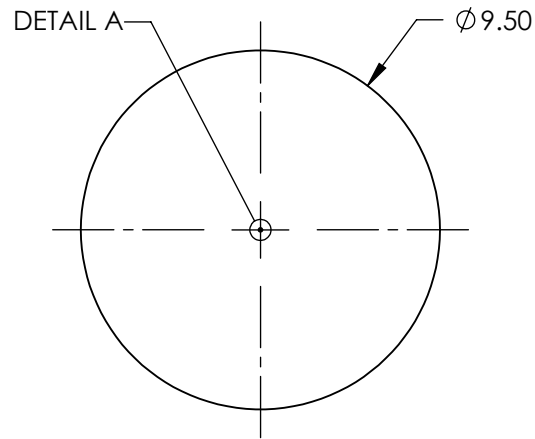


NOTES:

- 1. MATERIAL: MOLYBDENUM
- 2. RoHS: COMPLIANT



DETAIL A



SPECIFICATIONS SUBJECT TO CHANGE WITHOUT NOTICE  
DIMENSIONS ARE FOR REFERENCE ONLY



**FOR INFORMATION ONLY:  
DO NOT MANUFACTURE  
PARTS TO THIS DRAWING**

THIRD ANGLE PROJECTION		TITLE	100µm APERTURE DIAMETER, MOLYBDENUM APERTURE	
ALL DIMS IN	mm	DWG NO	59258	SHEET 1 OF 1