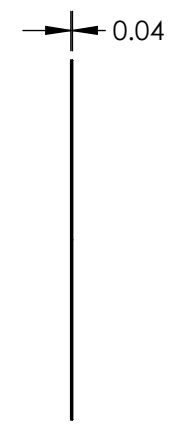
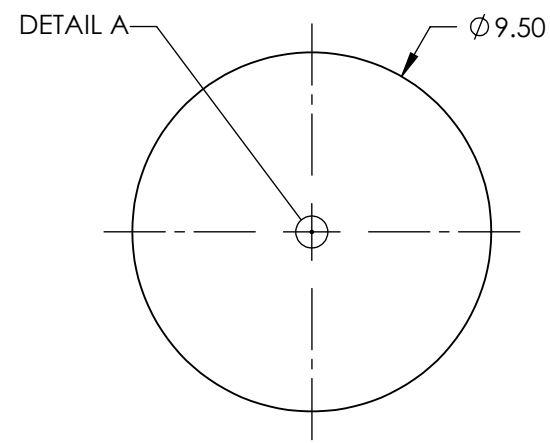
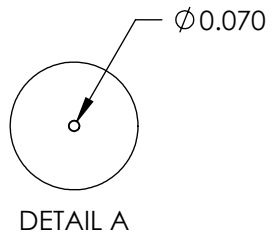
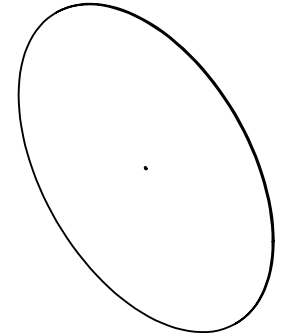


- NOTES:  
 1. MATERIAL: COPPER  
 2. RoHS: COMPLIANT



SPECIFICATIONS SUBJECT TO CHANGE WITHOUT NOTICE  
 DIMENSIONS ARE FOR REFERENCE ONLY

**FOR INFORMATION ONLY:  
 DO NOT MANUFACTURE  
 PARTS TO THIS DRAWING**



THIRD ANGLE PROJECTION		TITLE	70µm APERTURE DIAMETER, COPPER APERTURE	
ALL DIMS IN	mm	DWG NO	39890	SHEET 1 OF 1