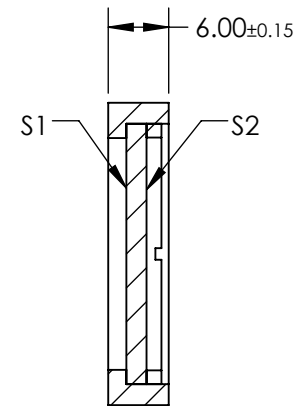
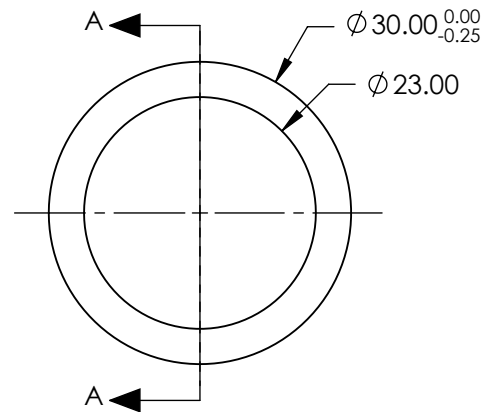
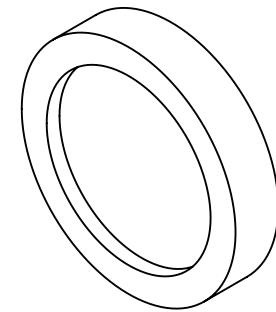
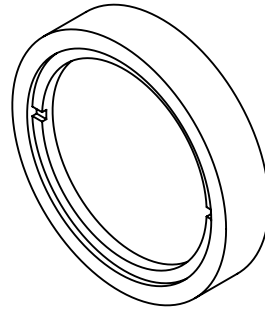


NOTES:

1. SUBSTRATE:  
Crystal Quartz and MgF2
2. COATING (APPLY ACROSS CLEAR APERTURE)  
S1 & S2: R(AVG) <0.6% @ 700 - 1000nm  
  
DAMAGE THRESHOLD,  
PULSED: 2 J/cm<sup>2</sup> @ 8ns @ 1064nm  
CW: 500 kW/cm<sup>2</sup> @ 1064nm
3. SURFACE S1 TO BE PARALLEL TO SURFACE S2 TO WITHIN <1 ARCMIN
4. RETARDANCE:  $\lambda/4 \pm \leq \lambda/100$
5. TRANSMITTED WAVEFRONT:  $\lambda/4$  @ 633nm
6. WAVELENGTH RANGE: 700 - 1000 nm
7. TEMPERATURE COEFFICIENT: <1/500  $\lambda/^\circ\text{C}$
8. ROHS COMPLIANT



SECTION A-A

**FOR INFORMATION ONLY:  
DO NOT MANUFACTURE  
PARTS TO THIS DRAWING**

SPECIFICATIONS SUBJECT TO CHANGE WITHOUT NOTICE  
DIMENSIONS ARE FOR REFERENCE ONLY

**EO**® Edmund Optics®

	S1	S2	THIRD ANGLE PROJECTION	TITLE	30mm Dia, 700-1000nm, $\lambda/4$ Achromatic Waveplate	
CLEAR APERTURE	Ø23.00	Ø23.00		ALL DIMS IN	mm	DWG NO
SURFACE QUALITY	20-10	20-10				SHEET 1 OF 1