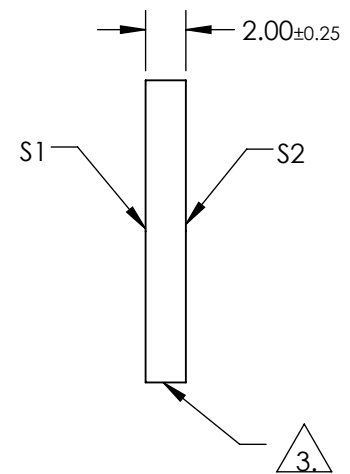
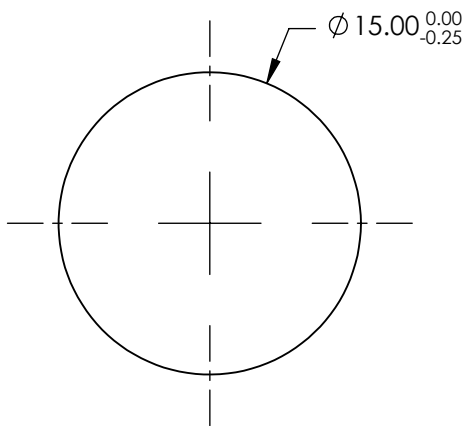
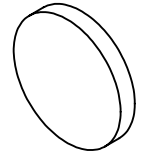


NOTES:

1. SUBSTRATE:  
BOROFLOAT®
2. COATING SPECIFICATION:  
S1: Enhanced Aluminum (250-700nm)  
R(AVG) >89% @ 250 - 450nm  
R(AVG) >85% @ 250 - 700nm

3. FINE GROUND SURFACE

4. ROHS COMPLIANT



**FOR INFORMATION ONLY:  
DO NOT MANUFACTURE  
PARTS TO THIS DRAWING**

SPECIFICATIONS SUBJECT TO CHANGE WITHOUT NOTICE  
DIMENSIONS ARE FOR REFERENCE ONLY

	S1	S2
SHAPE	PLANO	PLANO
SURFACE QUALITY	60-40	COMMERCIAL POLISH
CLEAR APERTURE	Ø12.75	N/A
BEVEL	PROTECTIVE AS NEEDED	PROTECTIVE AS NEEDED



ALL DIMS IN mm

**EO**® **Edmund Optics**®

TITLE: 15mm Dia. UV Enhanced Aluminum, λ/4 Mirror

DWG NO: 63168

SHEET 1 OF 1