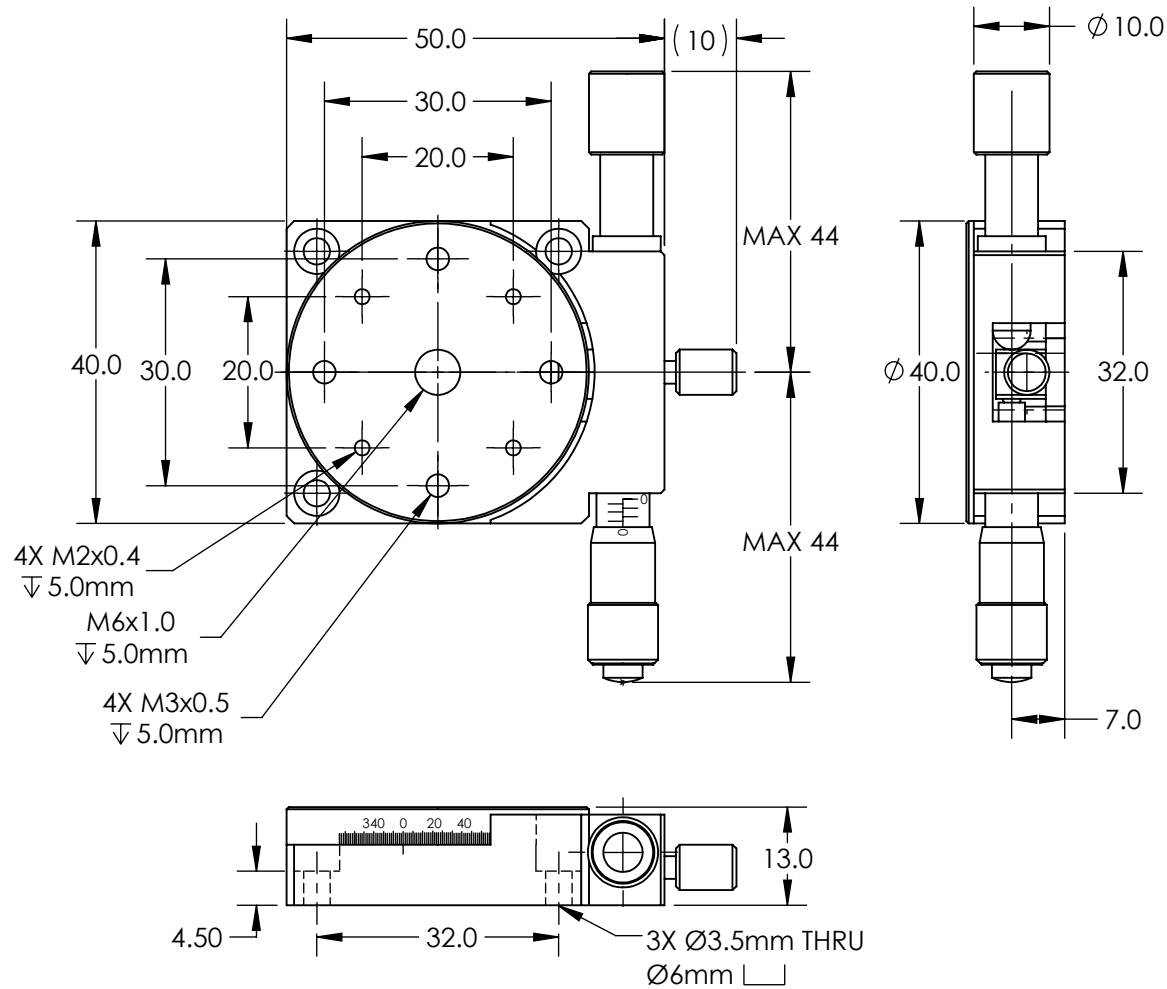


NOTES:

1. TRAVEL: COARSE ROTATION 360° / FINE ROTATION ± 5°
2. INCLUDES ONE PACKAGE OF (3) M3x8mm LONG, FLAT POINT SET SCREWS FOR LOCKING



SPECIFICATIONS SUBJECT TO CHANGE WITHOUT NOTICE
DIMENSIONS ARE FOR REFERENCE ONLY

**FOR INFORMATION ONLY:
DO NOT MANUFACTURE
PARTS TO THIS DRAWING**

EO® **Edmund Optics**®

| | | | | |
|------------------------|----|--------|------------------------------|--------------|
| THIRD ANGLE PROJECTION | | TITLE | ROTARY STAGE METRIC 40MM DIA | |
| ALL DIMS IN | mm | DWG NO | 55028 | SHEET 1 OF 1 |