

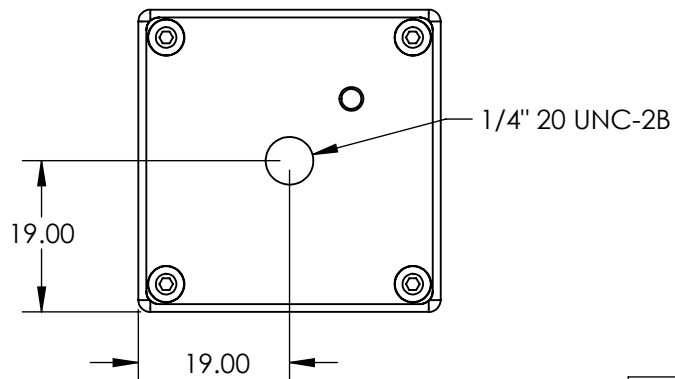
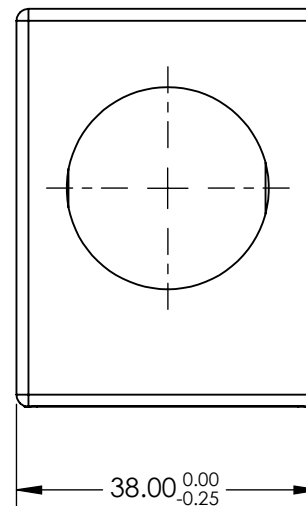
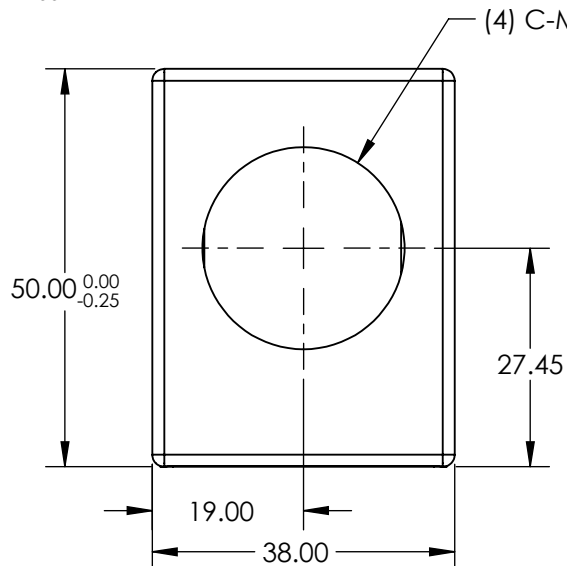
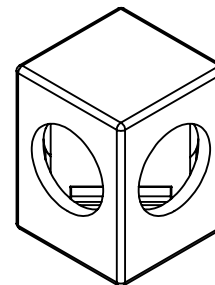
NOTES:

1. COATING (APPLY ACROSS CLEAR APERTURE)

S1: R(abs) 30% ±5% @ 550nm  
 R(abs) 30% ±10% @ 700 - 1100 nm  
 T(abs) 70% ±5% @ 550nm  
 T(abs) 70% ±10% @ 700 - 1100nm

S2: R(avg) <1.0% @ 700 - 1100nm  
 R(abs) <2.0% @ 700 - 1100nm

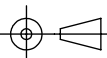
**FOR INFORMATION ONLY:  
 DO NOT MANUFACTURE  
 PARTS TO THIS DRAWING**



SPECIFICATIONS SUBJECT TO CHANGE WITHOUT NOTICE  
 DIMENSIONS ARE FOR REFERENCE ONLY

**EO**® Edmund Optics®

REV. A	S1	S2
SURFACE QUALITY	60-40	60-40
SURFACE FLATNESS	1λ	1λ

THIRD ANGLE PROJECTION 

ALL DIMS IN mm

TITLE	30R/70T, VIS, C-MOUNTED PLATE BEAMSPLITTER	
DWG NO	49687	SHEET 1 OF 1