

NOTES:

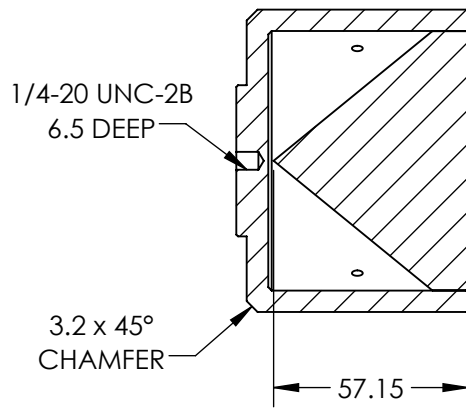
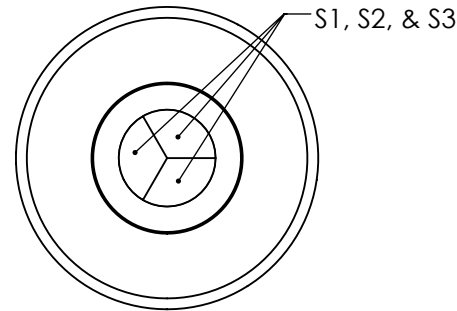
1. SUBSTRATE MATERIAL:
N-BK7

2. COATING:

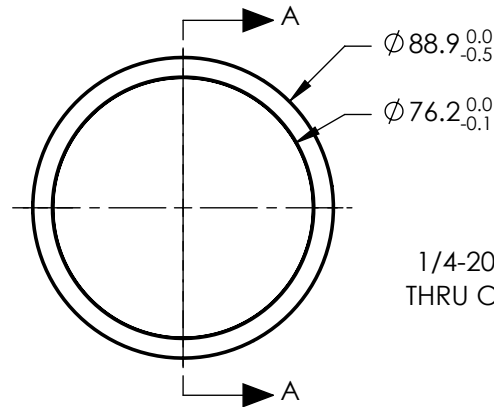
S1, S2, & S3: PROTECTED SILVER
R(avg) >98% @ 500 - 800nm
R(avg) >98% @ 2 - 10µm W/BLACK OVERPAINT

3. RAY DEVIATION: 180°

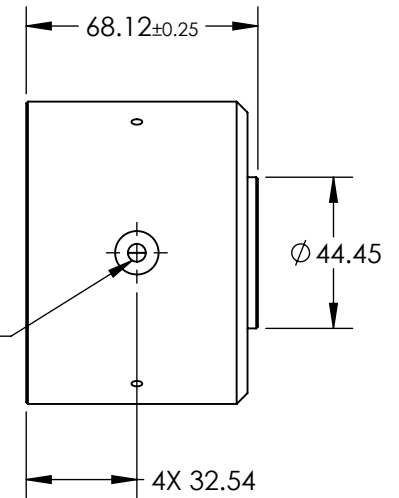
4. RoHS COMPLIANT



SECTION A-A



1/4-20 UNC-2B
THRU ONE WALL



**FOR INFORMATION ONLY:
DO NOT MANUFACTURE
PARTS TO THIS DRAWING**

SPECIFICATIONS SUBJECT TO CHANGE WITHOUT NOTICE
DIMENSIONS ARE FOR REFERENCE ONLY

REV. A	S1	S2	S3
SHAPE	PLANO	PLANO	PLANO
SURFACE QUALITY	60-40	60-40	60-40
WAVELENGTH RANGE (nm)	500 - 10000	500 - 10000	500 - 10000
BEVEL	PROTECTED AS NEEDED	PROTECTED AS NEEDED	PROTECTED AS NEEDED

THIRD ANGLE PROJECTION

ALL DIMS IN mm

EO® Edmund Optics®

TITLE

PRISM CORNER CUBE 76.2mm MTD

DWG NO

49081

SHEET
1 OF 1