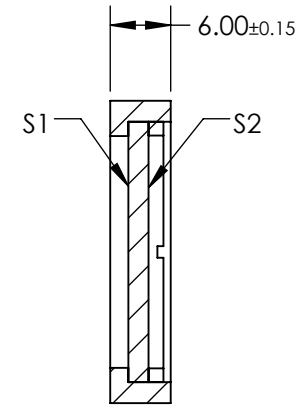
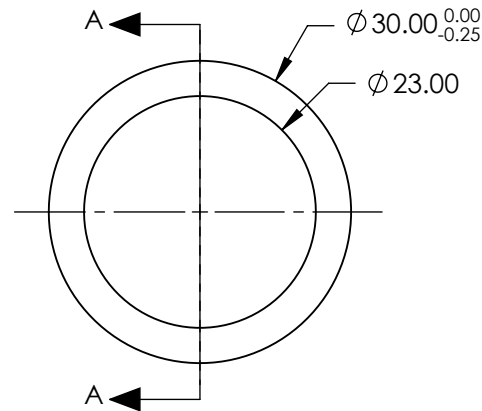
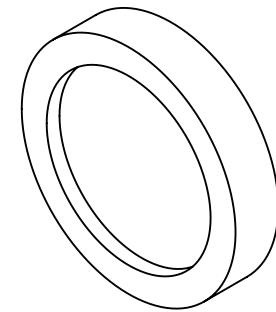
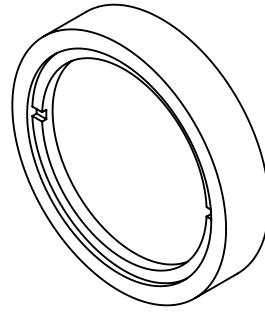


NOTES:

1. SUBSTRATE:
Crystal Quartz and MgF2
2. COATING (APPLY ACROSS CLEAR APERTURE)
S1 & S2: R(AVG) <1% @ 465 - 610nm

DAMAGE THRESHOLD,
PULSED: 2 J/cm² @ 8ns @ 1064nm
CW: 500 kW/cm² @ 1064nm
3. SURFACE S1 TO BE PARALLEL TO SURFACE S2 TO WITHIN <1' ARCMIN
4. RETARDANCE: $\lambda/4 \pm \leq \lambda/100$
5. TRANSMITTED WAVEFRONT: $\lambda/4$ @ 633nm
6. WAVELENGTH RANGE: 465 - 610 nm
7. TEMPERATURE COEFFICIENT: <1/500 $\lambda/^\circ\text{C}$
8. ROHS COMPLIANT



SECTION A-A

**FOR INFORMATION ONLY:
DO NOT MANUFACTURE
PARTS TO THIS DRAWING**

SPECIFICATIONS SUBJECT TO CHANGE WITHOUT NOTICE
DIMENSIONS ARE FOR REFERENCE ONLY

EO® Edmund Optics®

	S1	S2	THIRD ANGLE PROJECTION	TITLE	30mm Dia, 465-610nm, $\lambda/4$ Achromatic Waveplate	
CLEAR APERTURE	Ø23.00	Ø23.00		ALL DIMS IN	mm	DWG NO
SURFACE QUALITY	20-10	20-10				SHEET 1 OF 1