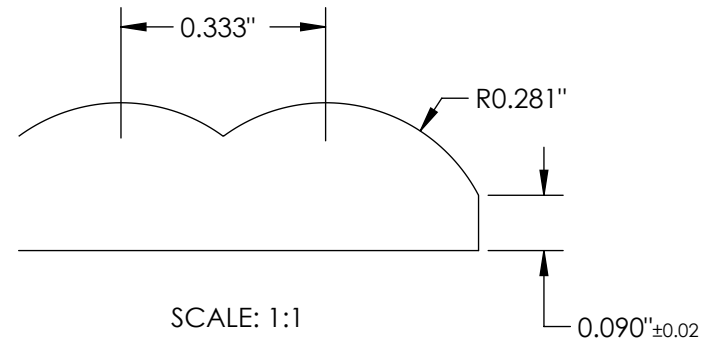
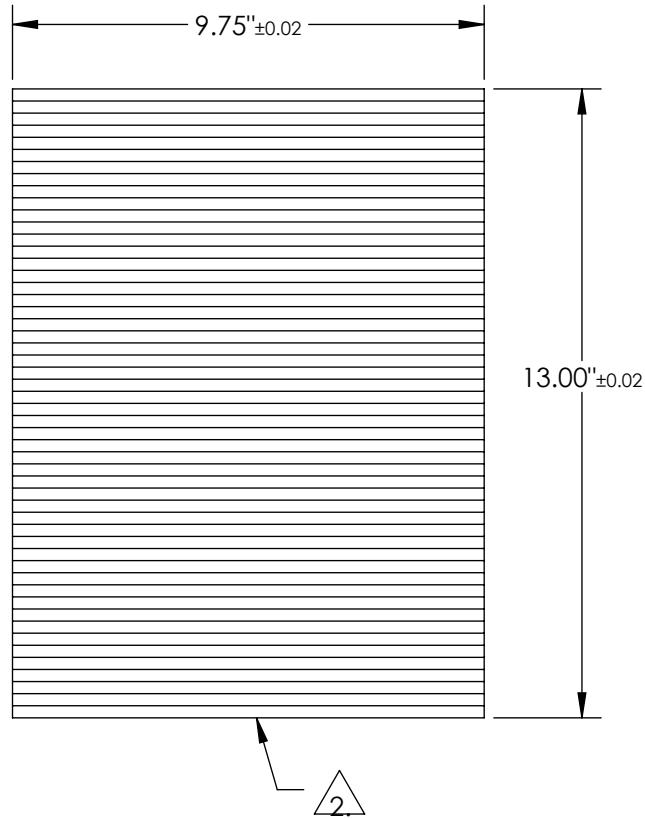


NOTES:

1. MATERIAL: ACRYLIC

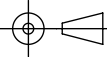
2. DRAWING IS NOT REPRESENTATIVE OF PART. USED ONLY TO DISPLAY DIMENSIONS.



SPECIFICATIONS SUBJECT TO CHANGE WITHOUT NOTICE
DIMENSIONS ARE FOR REFERENCE ONLY

**FOR INFORMATION ONLY:
DO NOT MANUFACTURE
PARTS TO THIS DRAWING**

EO® Edmund Optics®

THIRD ANGLE PROJECTION 		TITLE	9.75in x 15in LENTICULAR ARRAY	
ALL DIMS IN	IN	DWG NO	43026	SHEET 1 OF 1