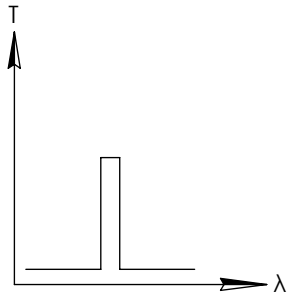
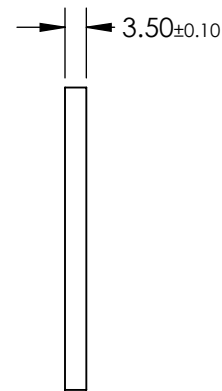
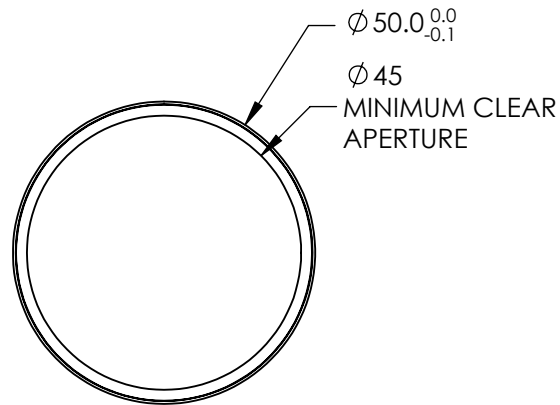
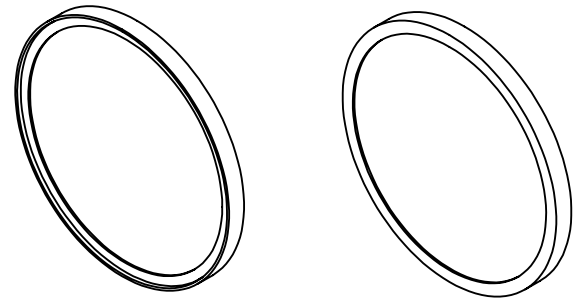


**FOR INFORMATION ONLY:
DO NOT MANUFACTURE
PARTS TO THIS DRAWING**



BANDPASS FILTER

REV. A	VALUE
CENTER WAVELENGTH (CWL)	585 ± 2nm
FULL WIDTH HALF MAX (FWHM)	40 ± 2nm
MINIMUM TRANSMISSION	>93
BLOCKING	300 - 1100
SURFACE QUALITY	60-40
CONSTRUCTION	MOUNTED IN BLACK ANODIZED ALUMINUM RING
COATING TYPE	HARD COATED
DURABILITY	MIL-C-48497A, SECT. 3.4.1
ENVIRONMENTAL	MIL-STD-801F, SECT. 507.4

SPECIFICATIONS SUBJECT TO CHANGE WITHOUT NOTICE
DIMENSIONS ARE FOR REFERENCE ONLY



THIRD ANGLE PROJECTION	TITLE	OD6, Ø50mm, 357nm x 48nm, BP FLUORESCENCE FILTER	
ALL DIMS IN	mm	DWG NO	33908
			SHEET 1 OF 1