

NOTES:

1. SUBSTRATE MATERIAL:  
Silicon (Si)

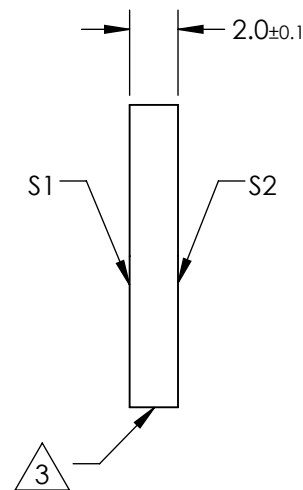
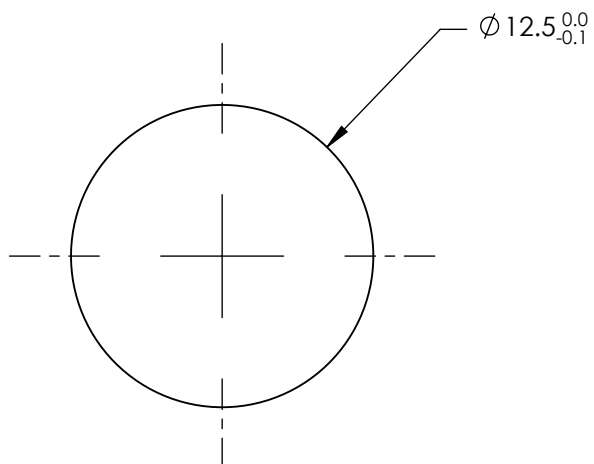
2. COATING (APPLY ACROSS CLEAR APERTURE)

S1: Protected Gold  
R(avg) >94% @ 700 - 800nm  
R(avg) >97% @ 800 - 2000nm  
S2: NONE

 FINE GROUND SURFACE

4. RoHS COMPLIANT

**FOR INFORMATION ONLY:  
DO NOT MANUFACTURE  
PARTS TO THIS DRAWING**



SPECIFICATIONS SUBJECT TO CHANGE WITHOUT NOTICE  
DIMENSIONS ARE FOR REFERENCE ONLY

REV. A	S1	S2
SHAPE	PLANO	PLANO
CLEAR APERTURE (%)	90	N/A
SURFACE QUALITY	60-40	COMMERCIAL POLISH
SURFACE FLATNESS	1λ	N/A
BEVEL	PROTECTIVE AS NEEDED	PROTECTIVE AS NEEDED

THIRD ANGLE PROJECTION 

ALL DIMS IN mm

 **Edmund Optics®**

TITLE **Ø12.5mm, SILICON SUBSTRATE GOLD MIRROR**

DWG NO 33246

SHEET 1 OF 1