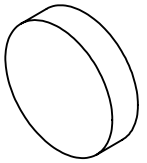


NOTES:

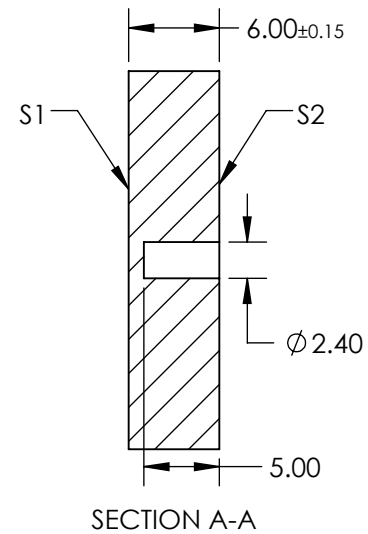
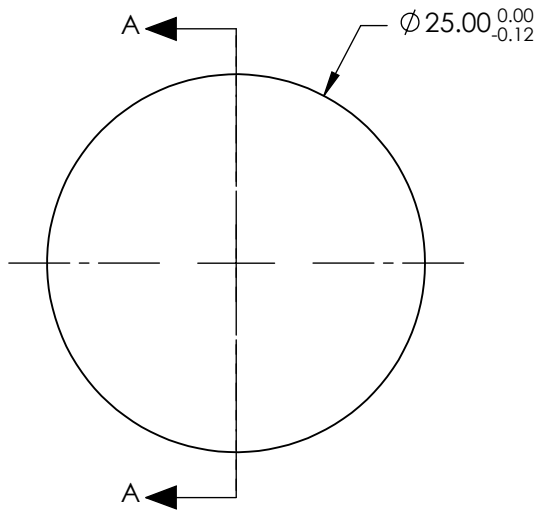
**FOR INFORMATION ONLY:
DO NOT MANUFACTURE
PARTS TO THIS DRAWING**



1. SUBSTRATE
COPPER
2. COATING (APPLY ACROSS CLEAR APERTURE)

S1: R(avg) >98% @ 2 - 20µm
 S2: NONE
 DAMAGE THRESHOLD, CW: 50kW/cm²

3. ROHS COMPLIANT



SPECIFICATIONS SUBJECT TO CHANGE WITHOUT NOTICE
 DIMENSIONS ARE FOR REFERENCE ONLY

	S1	S2
SURFACE QUALITY	20-10	N/A
SURFACE ROUGHNESS (Å)	<50 RMS	N/A
SURFACE FLATNESS	λ/20 @ 10.6µm	N/A
BEVEL	PROTECTIVE AS NEEDED	PROTECTIVE AS NEEDED



ALL DIMS IN mm

EO® Edmund Optics®

TITLE Ø25mm, IR BROADBAND LASER MIRROR

DWG NO 33000

SHEET 1 OF 1