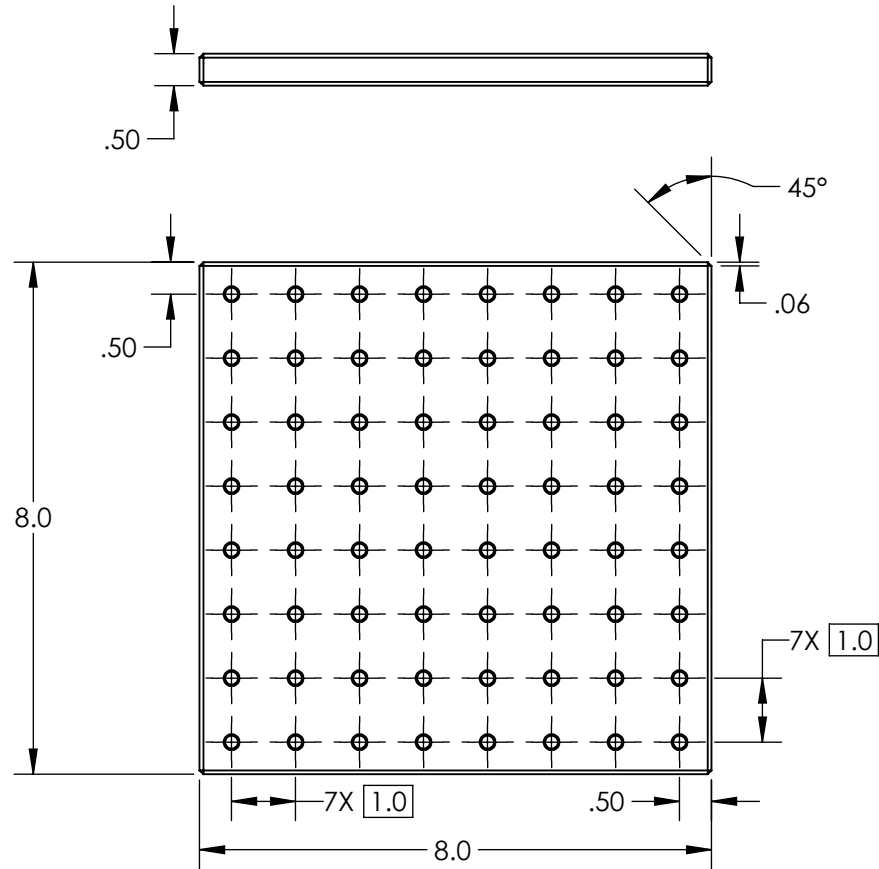


NOTES:

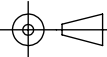
1. MATERIAL: BLACK ANODIZED ALUMINUM



SPECIFICATIONS SUBJECT TO CHANGE WITHOUT NOTICE  
DIMENSIONS ARE FOR REFERENCE ONLY

**FOR INFORMATION ONLY:  
DO NOT MANUFACTURE  
PARTS TO THIS DRAWING**

**EO**® Edmund Optics®

THIRD ANGLE PROJECTION 		TITLE	8" x 8", BREADBOARD	
ALL DIMS IN	in	DWG NO	56932	SHEET 1 OF 1