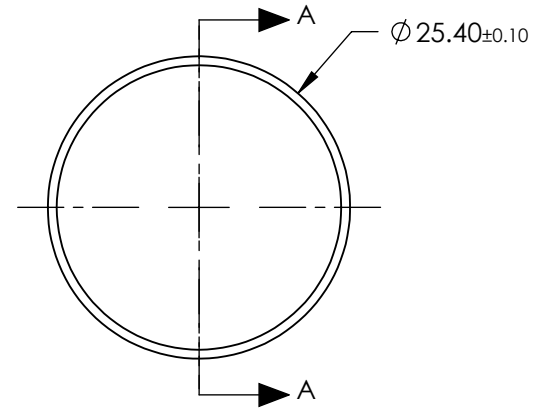
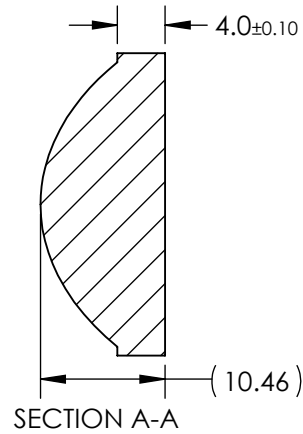
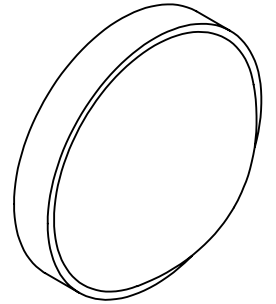


NOTES:

1. SUBSTRATE:  
PMMA
2. COATING  
S1 & S2: R(AVG) <0.5% @ 450 - 650nm
3. FOCAL LENGTH TOLERANCE: ±1%



**FOR INFORMATION ONLY:  
DO NOT MANUFACTURE  
PARTS TO THIS DRAWING**

SPECIFICATIONS SUBJECT TO CHANGE WITHOUT NOTICE  
DIMENSIONS ARE FOR REFERENCE ONLY

	S1	S2
SHAPE	CONVEX	PLANO
BEVEL	PROTECTIVE AS NEEDED	PROTECTIVE AS NEEDED

EFL	25.40
BFL	18.40



ALL DIMS IN mm

**EO**® **Edmund Optics**®

TITLE

25.4mm DIA F/1 VIS COATED, MOLDED  
ACRYLIC ASPHERIC LENS

DWG NO

48182

SHEET  
1 OF 1