

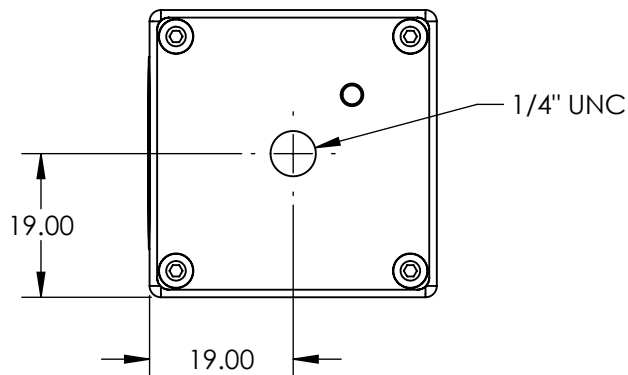
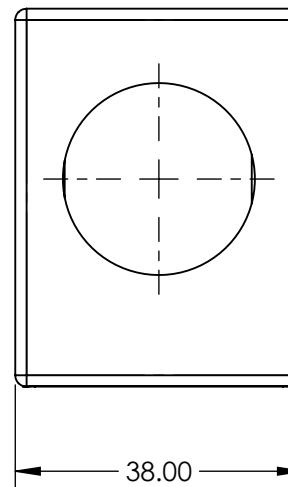
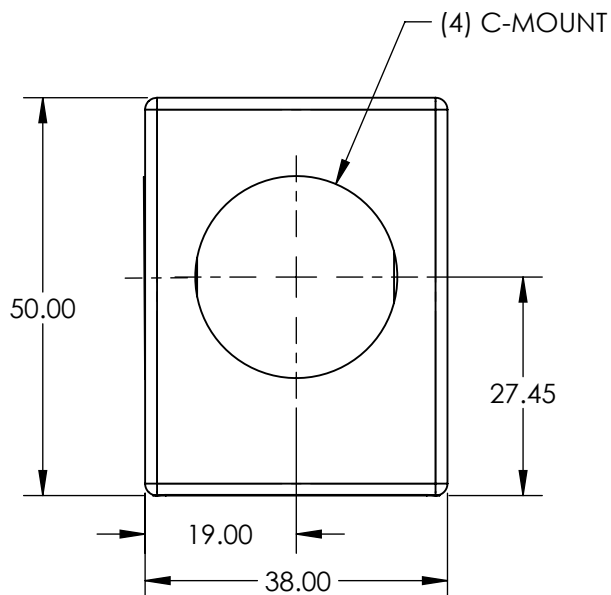
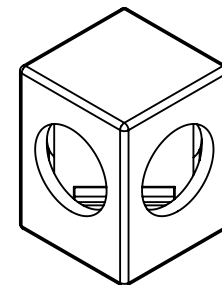
NOTES:

1. COATING (APPLY ACROSS CLEAR APERTURE)

S1: R(avg) >98% @ 450 - 2000nm  
 R(avg) >98% @ 2000 - 10000nm

S2: NONE

**FOR INFORMATION ONLY:  
 DO NOT MANUFACTURE  
 PARTS TO THIS DRAWING**



SPECIFICATIONS SUBJECT TO CHANGE WITHOUT NOTICE  
 DIMENSIONS ARE FOR REFERENCE ONLY



REV. A	S1	S2	THIRD ANGLE PROJECTION	TITLE	PROTECTED SILVER C-MOUNTED FIRST SURFACE MIRROR	
SURFACE QUALITY	60-40	60-40		DWG NO	36154	SHEET 1 OF 1
SURFACE FLATNESS	4 - 6λ	4 - 6λ		ALL DIMS IN mm		