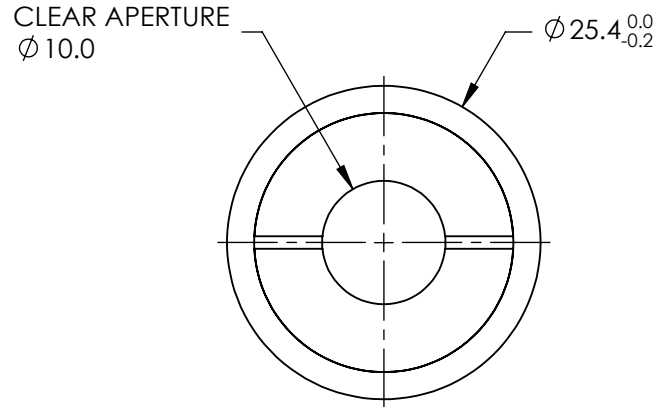
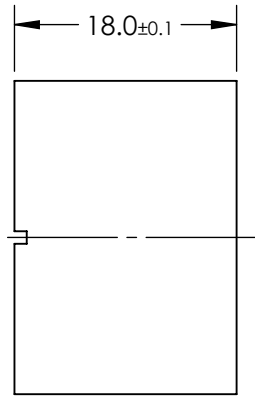
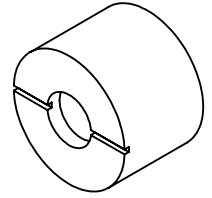


NOTES:

1. SUBSTRATE
A-BBO
2. EXTINCTION RATIO: >200,000:1
3. BEAM DEVIATION: <3 ARCMIN
4. BEAM SEPARATION (°): 8.0 - 14.0 , 8 @ 800nm
5. DAMAGE THRESHOLD,
PULSED: 10 J/cm² @ 1064nm, 20ns
6. RoHS NOT COMPLIANT

**FOR INFORMATION ONLY:
DO NOT MANUFACTURE
PARTS TO THIS DRAWING**



SPECIFICATIONS SUBJECT TO CHANGE WITHOUT NOTICE
DIMENSIONS ARE FOR REFERENCE ONLY

EO® **Edmund Optics**®

CLEAR APERTURE	Ø10	THIRD ANGLE PROJECTION		TITLE	A-BBO ROCHON POLARIZER		
SURFACE QUALITY	20-10			DWG NO	68827	SHEET	1 OF 1
TRANSMITTED WAVEFRONT	λ/4 @ 632.8nm						
WAVELENGTH RANGE	200 - 3500nm			ALL DIMS IN	mm		