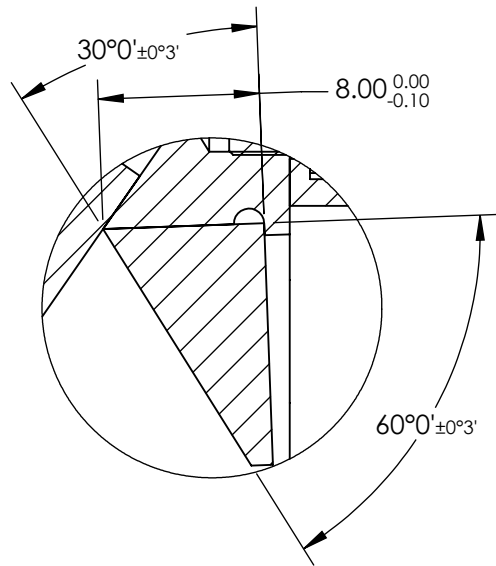
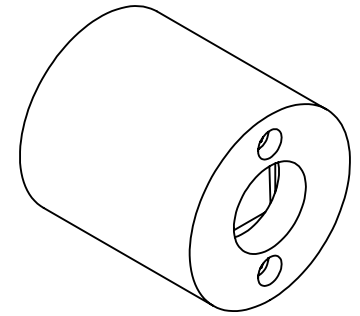
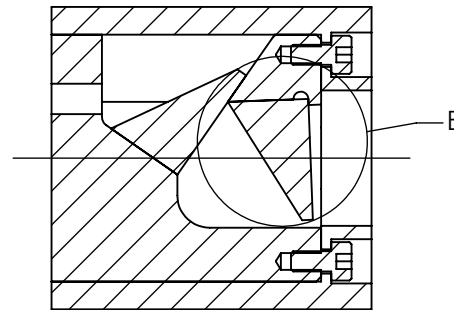


NOTES:

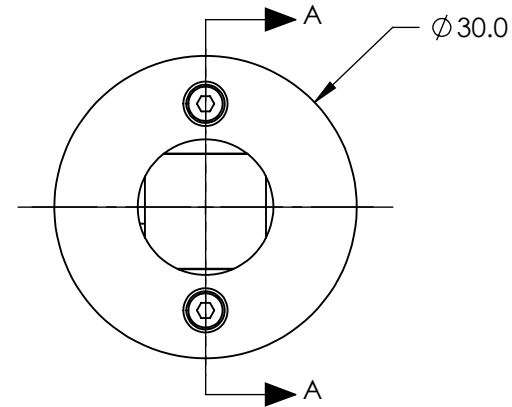
1. SUBSTRATE:
N-SF11
2. COATING (APPLY ACROSS CLEAR APERTURE)
R(AVG) $\leq 0.5\%$ @ 600 - 1050nm
DENSITY LIMIT: 7 J/cm² @ 1064nm, 10ns
3. DESIGN WAVELENGTH: 830nm



DETAIL B



SECTION A-A



**FOR INFORMATION ONLY:
DO NOT MANUFACTURE
PARTS TO THIS DRAWING**

SPECIFICATIONS SUBJECT TO CHANGE WITHOUT NOTICE
DIMENSIONS ARE FOR REFERENCE ONLY

EO® Edmund Optics®

REV.A.	
SURFACE QUALITY	20-10
SURFACE FLATNESS	1/10 WAVES

THIRD ANGLE PROJECTION	
ALL DIMS IN	mm

TITLE	4.22x MAGNIFICATION, NIR I COATED, MOUNTED ANAMORPHIC PRISM PAIR
DWG NO	47274
	SHEET 1 OF 1