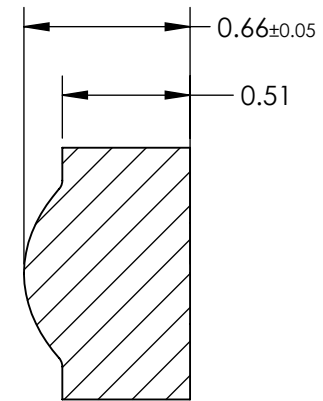
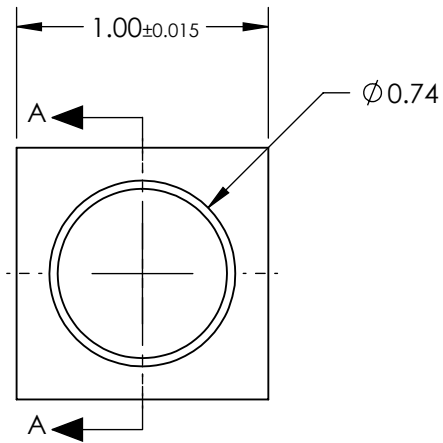
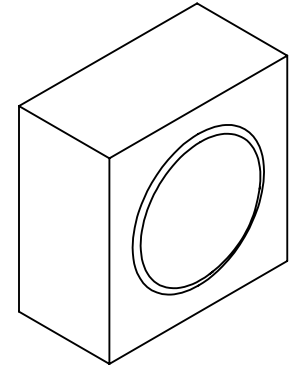


NOTES:


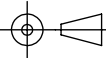
1. SUBSTRATE:
D-ZLAF52LA
2. NUMERICAL APERTURE: OBJECT: 0.5
IMAGE: 0.10
WD, IMAGE (mm): 3.03
3. COATING
S1 & S2: R(ABS) < 1.0% @ 600 - 1050nm
4. FOCAL LENGTH TOLERANCE: ±1%
5. TRANSMITTED WAVEFRONT ERROR (λ, RMS): < 0.040
6. MAGNIFICATION: 5X



SECTION A-A

**FOR INFORMATION ONLY:
DO NOT MANUFACTURE
PARTS TO THIS DRAWING**

SPECIFICATIONS SUBJECT TO CHANGE WITHOUT NOTICE
DIMENSIONS ARE FOR REFERENCE ONLY

	S1	S2	EFL	0.55	 Edmund Optics®		
			BFL	3.03			
SHAPE	CONVEX	PLANO			TITLE	0.50 NA 0.55mm FL 600-1050nm AR Coated, Molded Aspheric Lens	
SURFACE QUALITY	40-20	40-20	ALL DIMS IN	mm	DWG NO	37113	SHEET 1 OF 1
CLEAR APERTURE	Ø0.70	Ø0.70					
BEVEL	PROTECTIVE AS NEEDED	PROTECTIVE AS NEEDED					