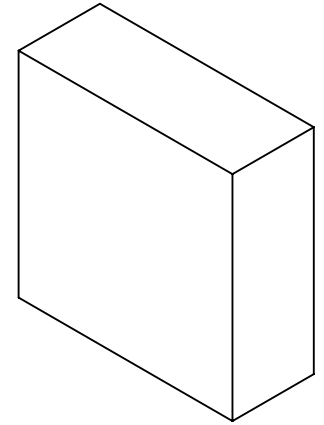
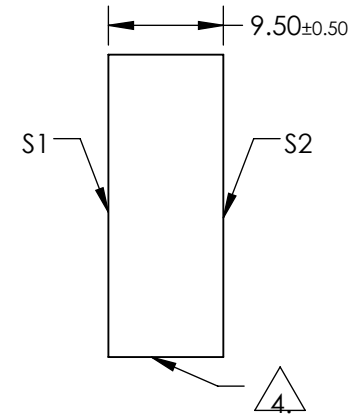
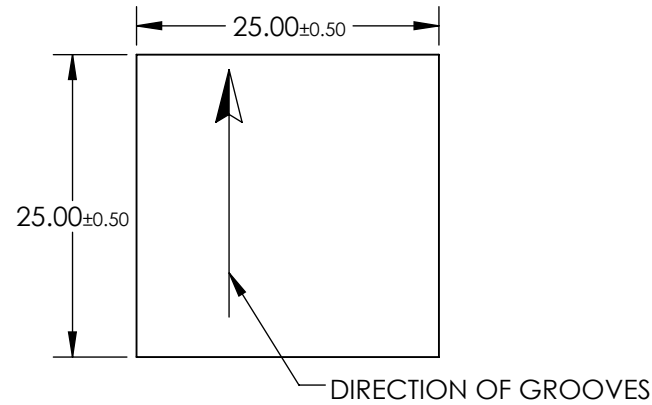


NOTES:

1. SUBSTRATE MATERIAL:
FLOAT GLASS
2. COATING (APPLW ACROSS CLEAR APERTURE):
S1: BARE ALUMINUM
S2: NONE
3. BLAZE ANGLE: 4° 18'
NOMINAL BLAZE WAVELENGTH: 250nm
EFFICIENCY: 60-80% @ BLAZE WAVELENGTH



4. EDGES GROUND
5. RoHS COMPLIANT



**FOR INFORMATION ONLY:
DO NOT MANUFACTURE
PARTS TO THIS DRAWING**

SPECIFICATIONS SUBJECT TO CHANGE WITHOUT NOTICE
DIMENSIONS ARE FOR REFERENCE ONLY

EO® Edmund Optics®

	S1	S2	THIRD ANGLE PROJECTION		TITLE	GRATING DIFF 25mm x 25mm	
SHAPE	PLANO	PLANO	ALL DIMS IN	mm	DWG NO	43740	SHEET 1 OF 1
CLEAR APERTURE	22.5 x 22.5	22.5 x 22.5					